

# 14302 - OUTDOOR CONCRETE TOP SQUARE END TABLE

## PART LIST:

A. TOP TABLE FRAME 1PCE

B. LEGS 4 PCS

C. TOP TABLE STONE 1PCE

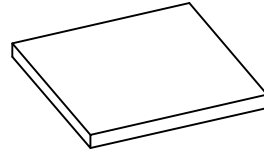
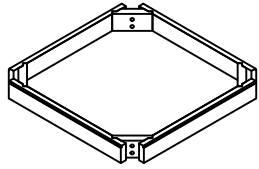
## HARDWARE :

D. FLAT WASHER 8 PCS

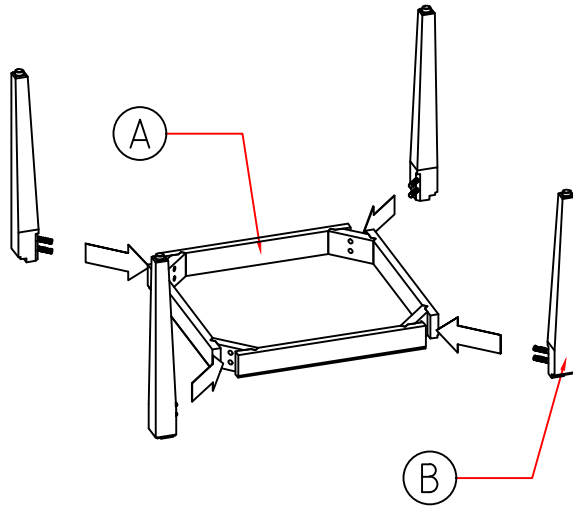
E. SPRING WASHER 8 PCS

F. NUT 8 PCS

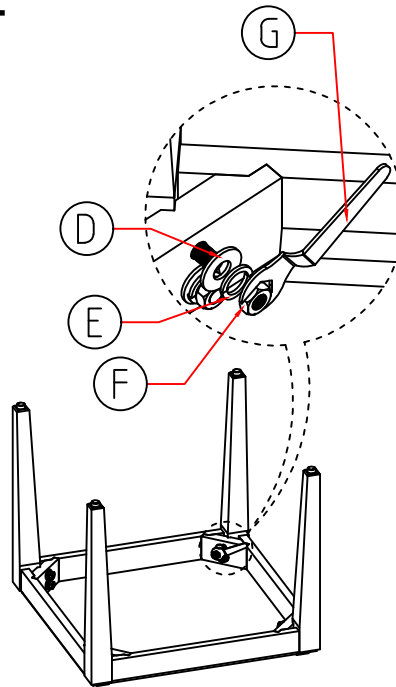
G. WRENCH 1PCE



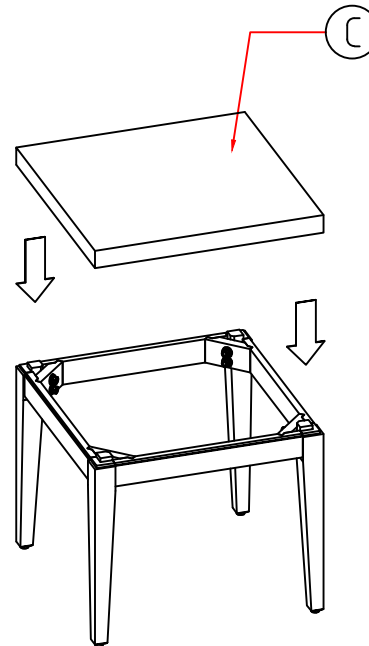
1



2



3



4

