

Thank you for purchasing this quality product. Be sure to check all packing material carefully for small parts that may have come loose inside the carton during shipment.

**Caution:** (1) These parts are cumbersome and heavy. This product can best be assembled with the assistance of one or more persons in order to prevent personal injury and to insure parts are not damaged during the assembly process. If dirty, clean finished parts with mild dishwashing liquid and water solution applied on damp cloth. Cloth should not be excessively wet. Polish finish with soft cloth and an industry recognized furniture polish.

(2) To prevent damage to your floor or carpet, please check the bottom of each piece of furniture for stain residue and rough surfaces and also check for staples or nails left after removing the packaging material. The manufacturer will not be held responsible if preventative steps are not taken prior to installation.

(3) Unpack and dispose of all packing material but be careful not to throw away any assembly parts or hardware. Read the instruction sheet and parts list carefully. Remove all staples and screws used for packaging carefully using pliers and or wrench to prevent injury and scratching or damaging flooring. Note : Use only the allen head bolts included in the package. Using different sizes could cause the wood to split or come out from the other side.

## Assembly Procedures:

Step 1: Position the mirror frame assembly face down on a carpeted floor, position the wood supports on the back of the mirror posts so that half of the wood supports are below the post.

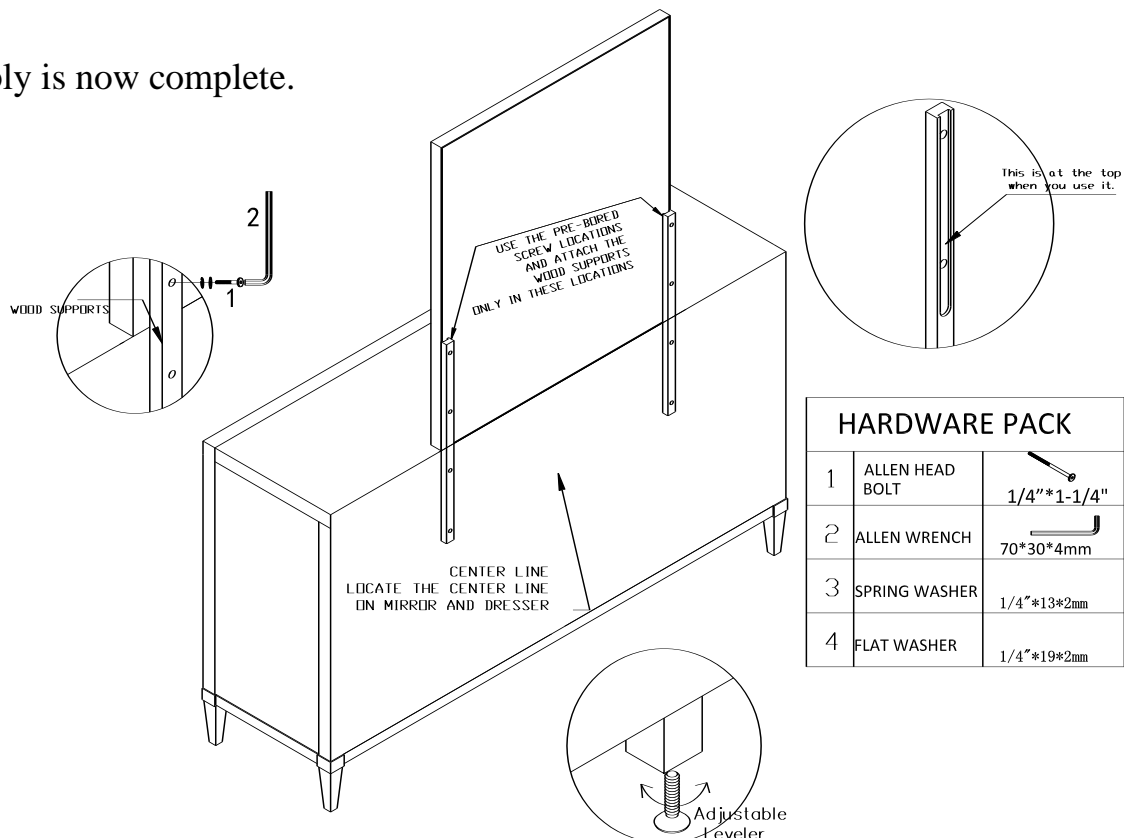
Step 2: Place mirror frame assembly on the Dresser/Bureau and align the center mark on back of mirror frame assembly with the center mark on the Dresser/Bureau.

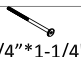
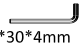
Step 3: Attach the mirror frame assembly by using allen head bolts.

The mirror is now attached.

If leveling is needed, adjust leveler located on the bottom center of the Dresser/Bureau as shown.

Assembly is now complete.



HARDWARE PACK			Q'TY
1	ALLEN HEAD BOLT	 1/4" * 1-1/4"	8PCS
2	ALLEN WRENCH	 70*30*4mm	1PC
3	SPRING WASHER	1/4" * 13*2mm	8PCS
4	FLAT WASHER	1/4" * 19*2mm	8PCS