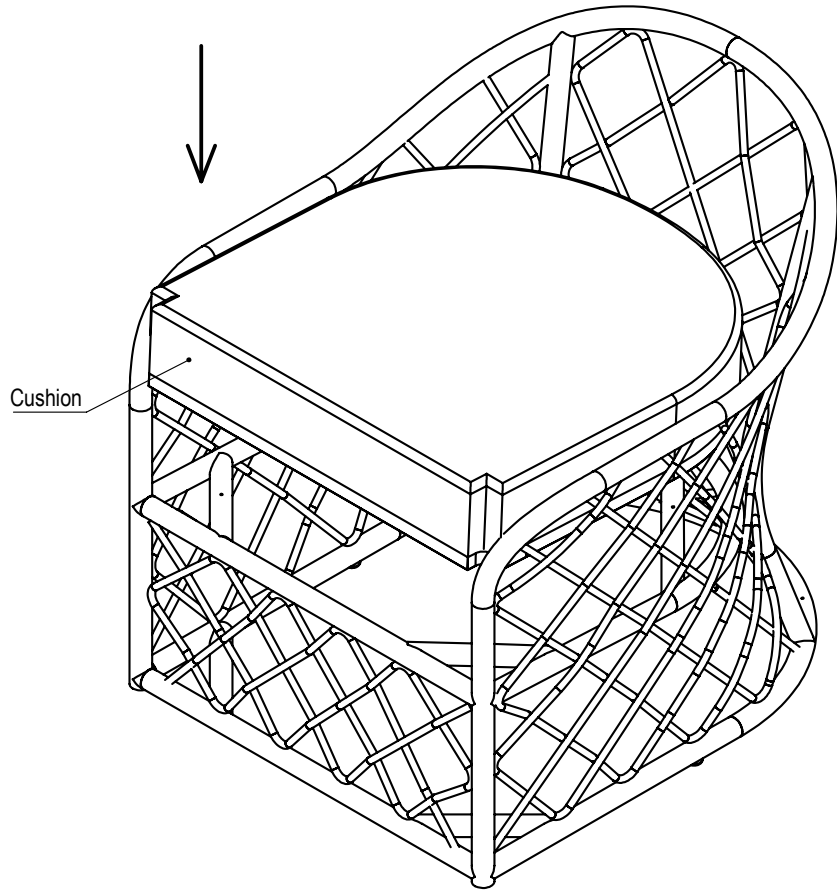
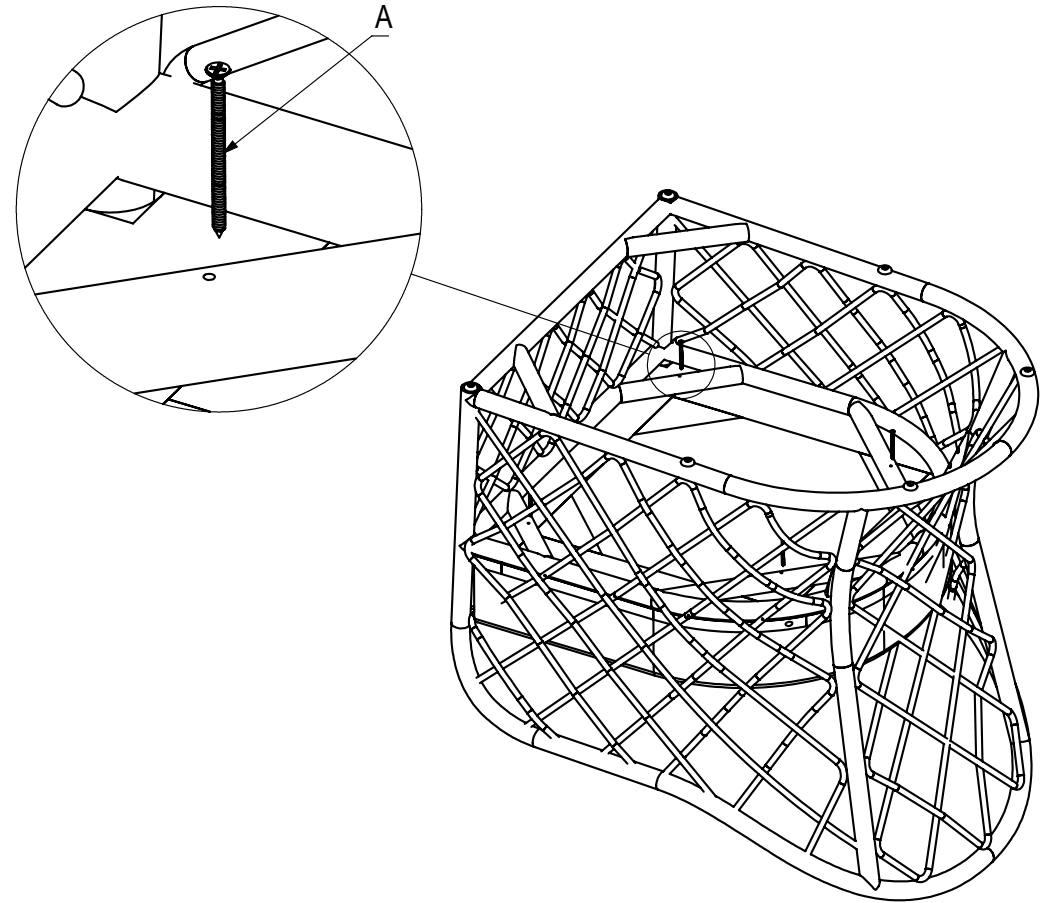



ASSEMBLY INSTRUCTIONS MIRAMAR ACCENT CHAIR



STEP 1



STEP 2

A	
	FAB SCREW Ø8 x 2" SS
	PSC : 4