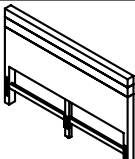
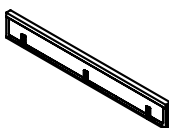
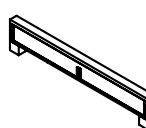
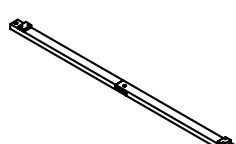
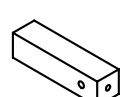
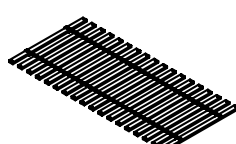
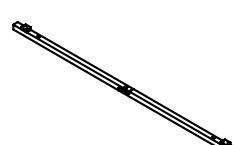






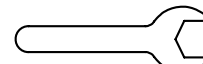



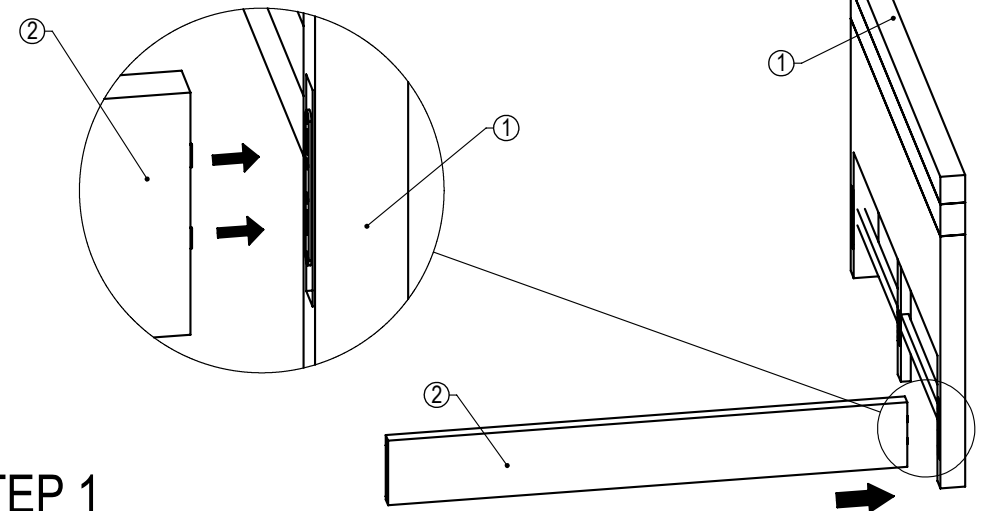
ASSEMBLY INSTRUCTIONS SEATON KING / QUEEN BED

LIST COMPONENT

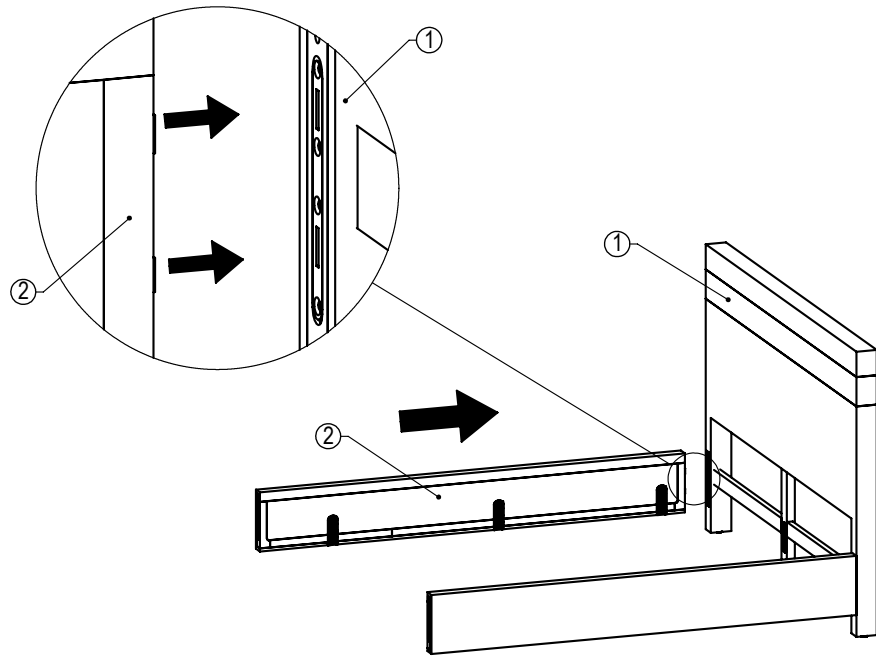
LIST COMPONENT			
1		HEAD BOARD	1
2		SIDE RAIL	2
3		FOOT BOARD	1
4		MIDDLE SUPPORT	1
5		MIDDLE LEGS	1
6		CROSS BAR	2
7		SIDE BAR	2

LIST HARDWARE

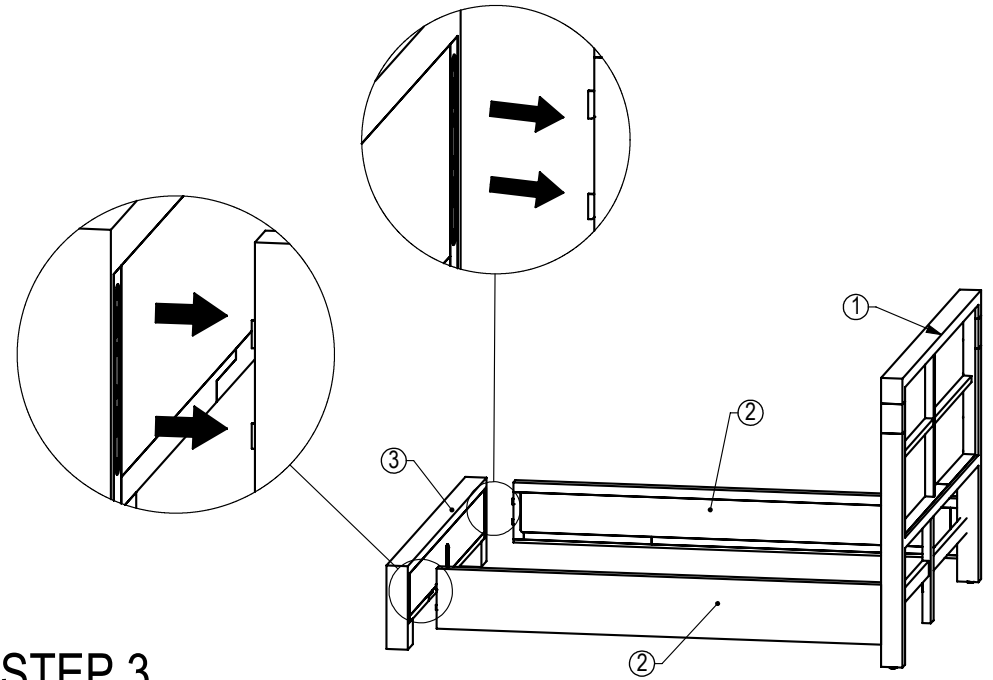
LIST HARDWARE			
A		BRACKETS	8
B		JCBC BOLT M6 X 60MM	9
C		FLAT WAHSER M6 x Ø18MM SS	8
D		SPRING WAHSER M6 x Ø11MM SS	8
E		NUT M6	8
F		HEX KEY L4	1
G		WRENCH 10	1
H		FAB SCREW Ø8 X 1.5" SS	16



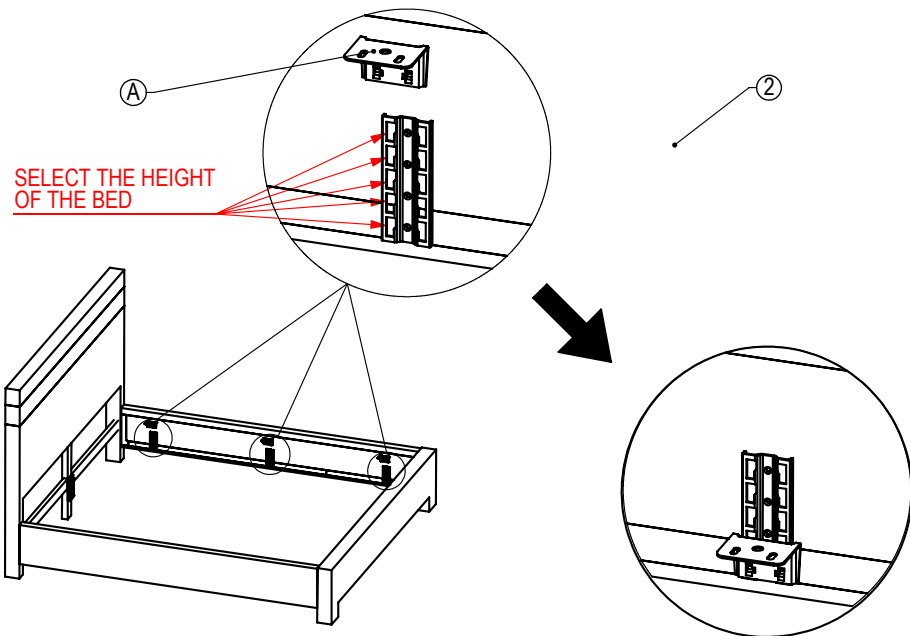
STEP 1



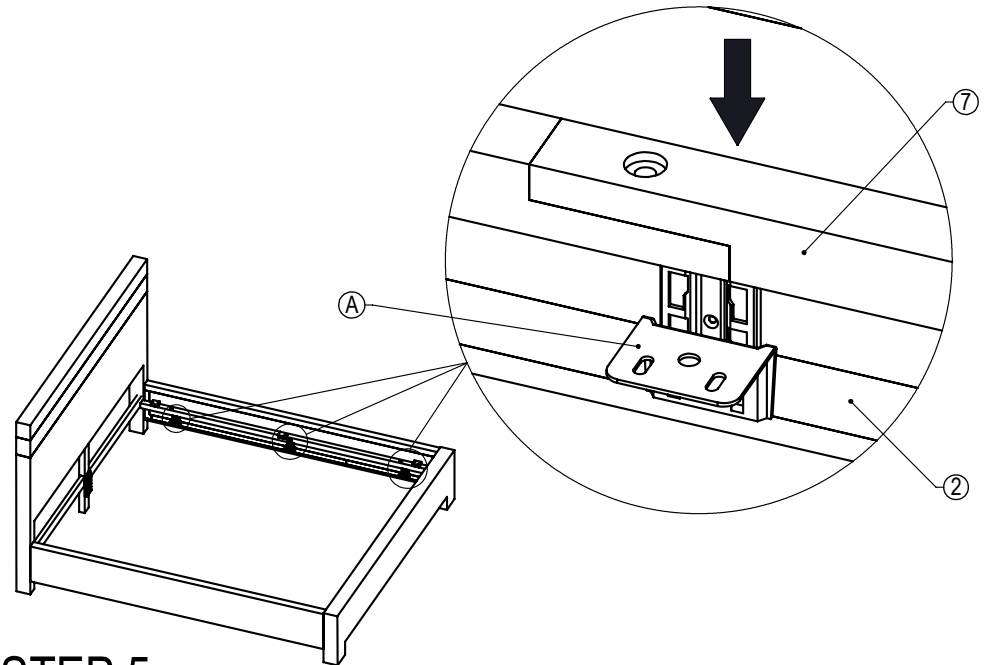
STEP 2



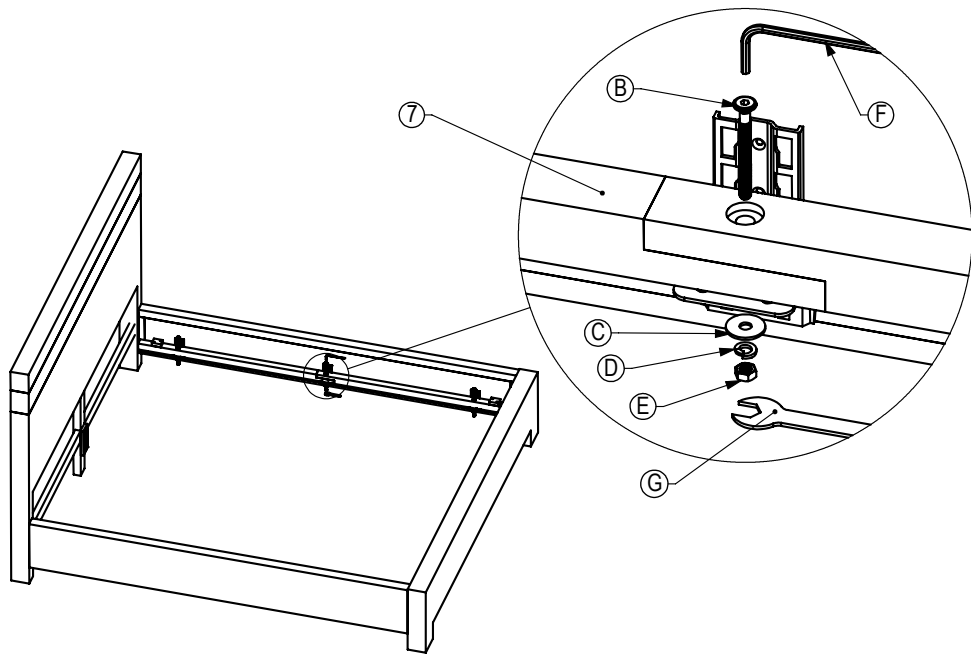
STEP 3



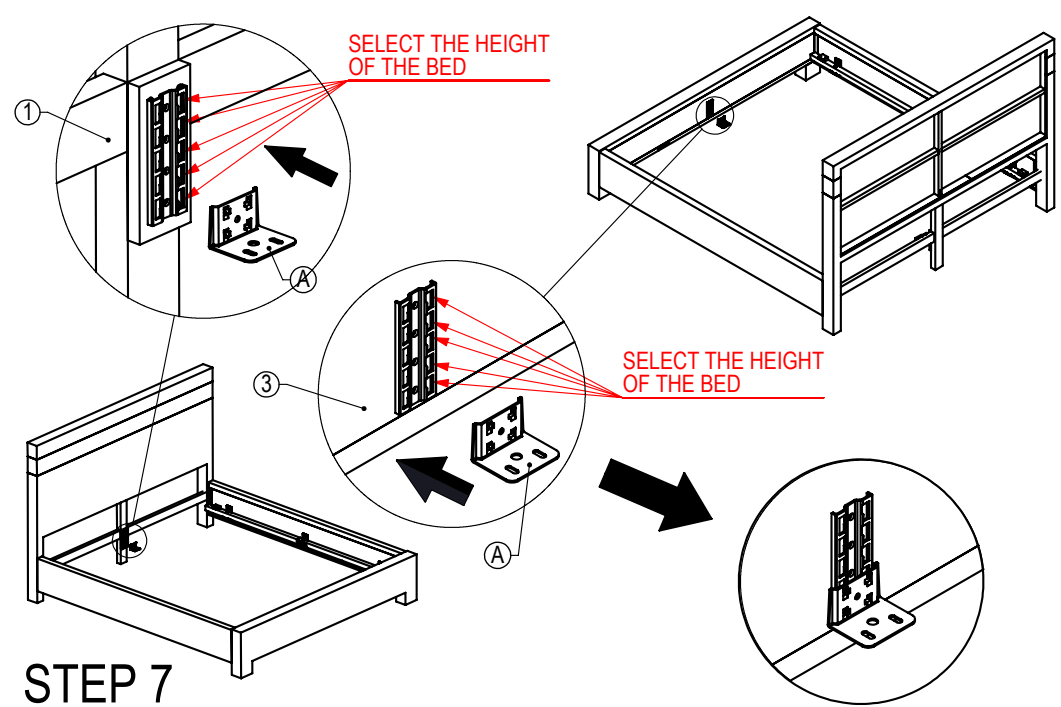
STEP 4



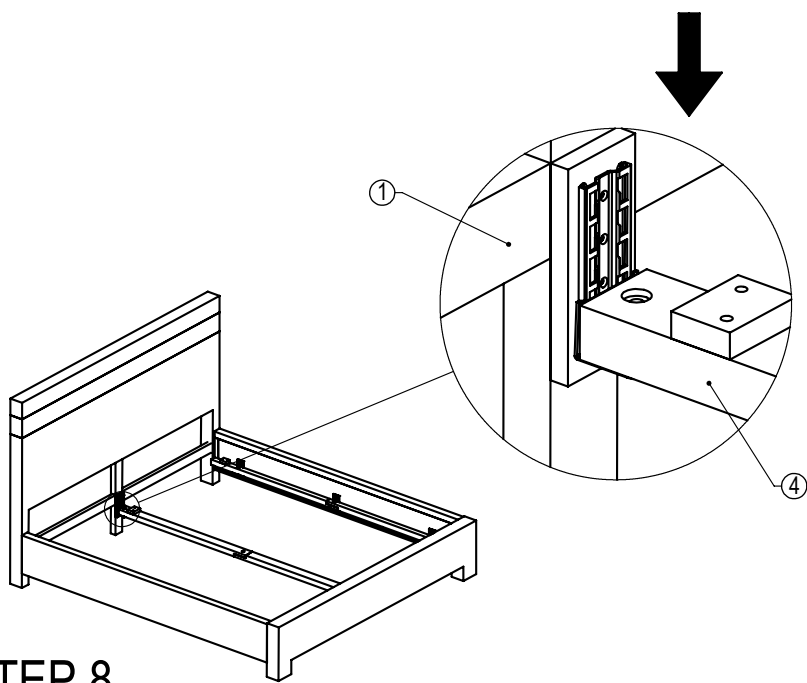
STEP 5



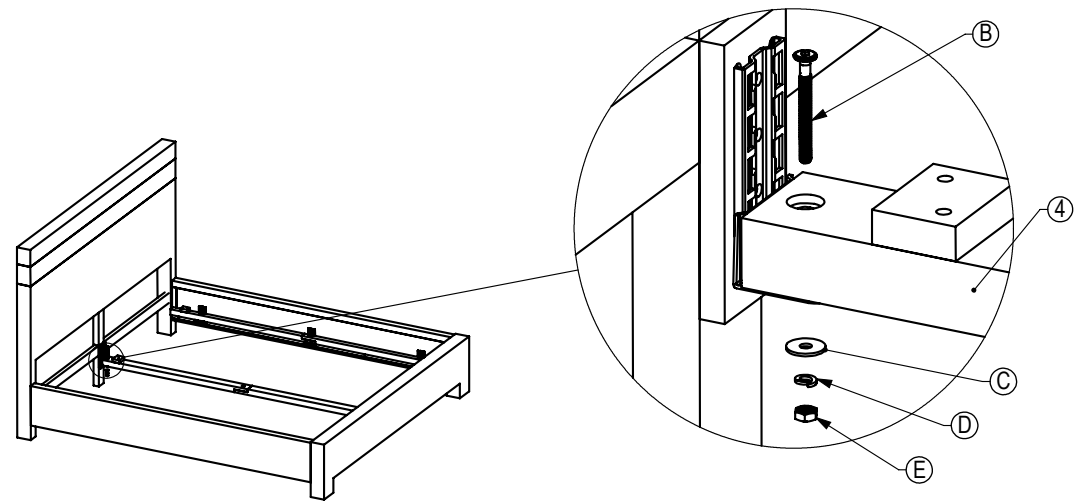
STEP 6



STEP 7



STEP 8



STEP 9

