

INSTRUCTION SHEET

847-380

Bench

Thank you for purchasing this quality product. Be sure to check all packing material carefully for small parts that may have come loose inside the carton during shipment.

Caution: (1) These parts are cumbersome and heavy. This product can best be assembled with the assistance of one or more persons in order to prevent personal injury and to insure parts are not damaged during the assembly process. If dirty, clean finished parts with mild dishwashing liquid and water solution applied on damp cloth. Cloth should not be excessively wet. Polish finish with soft cloth and an industry recognized furniture polish.

(2) To prevent damage to your floor or carpet, please check the bottom of each piece of furniture for stain residue and rough surfaces and also check for staples or nails left after removing the packaging material. The manufacturer will not be held responsible if preventative steps are not taken prior to installation.

(3) Unpack and dispose of all packing material but be careful not to throw away any assembly parts or hardware. Read the instruction sheet and parts list carefully. Remove all staples and screws used for packaging carefully using pliers and or screwdrivers to prevent injury and scratching or damaging flooring.

(4) During normal use everyday, screws, bolts, nuts and wooden plugs may loosen up. They should be periodically inspected and re-tightened to prevent damage to the furniture and (or) personal property or cause injury. Always check to be sure all hardware on this list and the above mentioned components is attached to the furniture properly and kept tightened at all times.

PARTS LIST:

#	Description	Qty.	#	Description	Qty.
A	Bench Top	1pc	B	Side Frame	2pcs
C	Cushion	1pc	D	Side Stretcher	2pcs
E	Center Stretcher	1pc	F	Hardware Pack	1bag

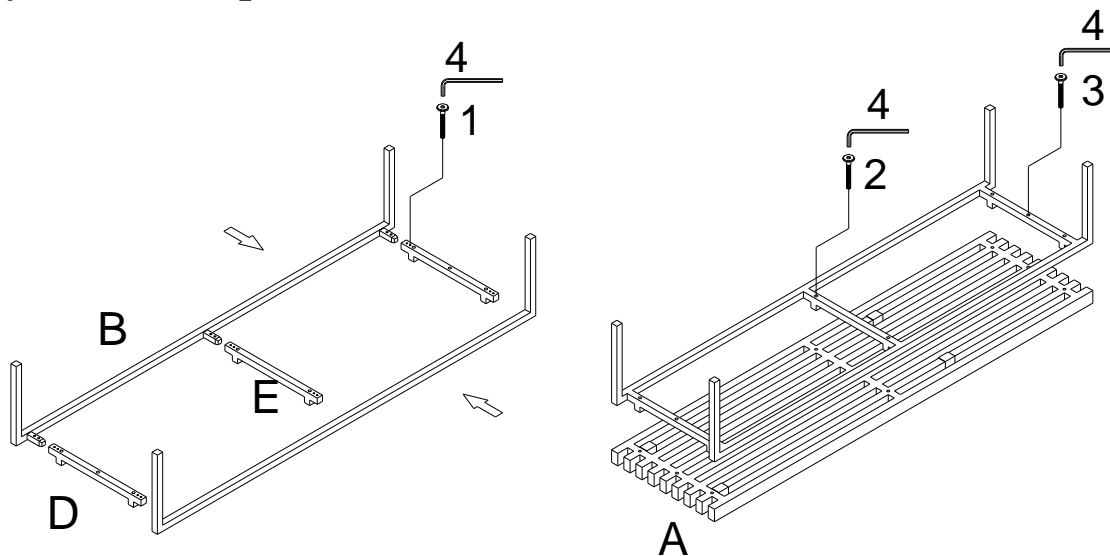
Assembly Procedure: (Please follow the sketches below.)

Step 1: Unpack, inspect, and read assembly instruction carefully. Lay out the parts and hardware. Make sure the quantity of each is correct.

Step 2: Put all parts on a soft and smooth surface to avoid damage or being scratched. Attach the stretchers (D & E) to the side frames (B) with allen head bolt. Then attach the bench top (A) to the base with allen head bolts (2 & 3) using allen wrench (4). Tighten all the bolts.

Step 3: Turn the bench upright, Put the cushion (A) onto the bench Top (A), Fix it with velcro from the backside.

Assembly is now complete.

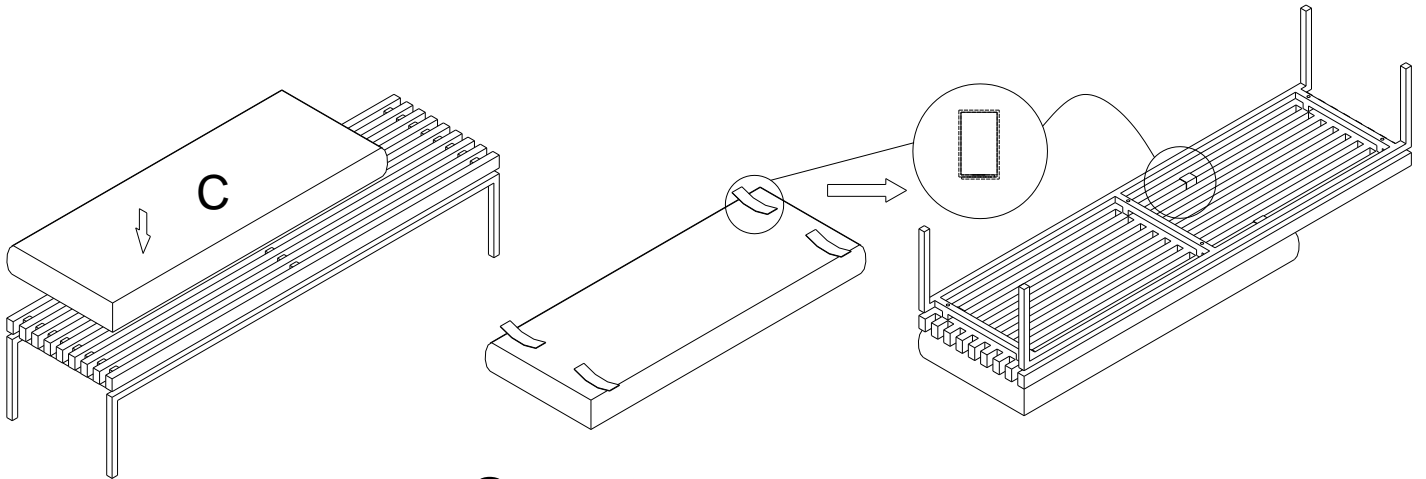


Step 2





INSTRUCTION SHEET

847-380

Bench



Step 3

HARDWARE LIST(F)		Q'TY
1	ALLEN HEAD BOLT  1/4"*1/2"	12PCS
2	ALLEN HEAD BOLT  1/4"*1-1/2"	2PCS
3	ALLEN HEAD BOLT  1/4"*2-1/4"	6PCS
4	ALLEN WRENCH  70*30*4mm	1PC

