

## INSTRUCTION SHEET

U181230/U18123FR/U181240/U18124FR

COLINA BED

Thank you for purchasing this quality product. Be sure to check all packing material carefully for small parts that may have come loose inside the carton during shipment.

**Caution:** (1) These parts are cumbersome and heavy. This product can best be assembled with the assistance of one or more persons in order to prevent personal injury and to ensure parts are not damaged during the assembly process. If dirty, clean finished parts with mild dishwashing liquid and water solution applied on damp cloth. Cloth should not be excessively wet. Polish finish with soft cloth and an industry recognized furniture polish.









(2) To prevent damage to your floor or carpet, please check the bottom of each piece of furniture for stain residue and rough surfaces and also check for staples or nails left after removing the packaging material. The manufacturer will not be held responsible if preventative steps are not taken prior to installation.

(3) Unpack and dispose of all packing material but be careful not to throw away any assembly parts or hardware. Read the instruction sheet and parts list carefully. Remove all staples and screws used for packaging carefully using pliers and or screwdrivers to prevent injury and scratching or damaging flooring.








(4) During normal use everyday, screws, bolts, nuts and wooden plugs may loosen up. They should be periodically inspected and re-tightened to prevent damage to the furniture and (or) personal property or cause injury. Always check to be sure all hardware on this list and the above-mentioned components is attached to the furniture properly and kept tightened at all times.

### PART LIST:






#### PART LIST

A	Center Support		1PC
B	Headboard		1PC
C	Side Rail		2PCS
D	Footboard		1PC
E	Slat Roll		1PC
F	Metal Slat		1PC
G	Metal Rail		1PC
H	Center Rail		1PC

### HEAD BOARD & FOOT BOARD HARDWARE PACK

1	Bolt		5/16" *3"	10PCS
2	Curved washer		27.5*8*15mm	10PCS
3	Spring washer		5/16"	10PCS
4	Nut		13*13*5mm	10PCS
5	Screw		8*1-1/4"mm	10PCS
6	Wrench		87*19mm	1PC
7	Wood dowel			4PCS

### FOOT BOARD & METAL SLAT HARDWARE PACK

8	Nut		5/16"	2PCS
9	Flat Washer		5/16"*23*2mm	8PCS
10	Bolt		5/16"*2-3/4"	2PCS
11	Bolt		5/16"*1	6PCS
12	Wrench		10-12mm	1PC

## INSTRUCTION SHEET

U181230/U18123FR/U181240/U18124FR

COLINA BED

**Assembly Procedure:** (Please follow the sketches below.)

**Note:** Unpack, inspect, and read assembly instruction carefully. Lay out the parts and hardware. Make sure the quantity of each is correct.

**Step 1:** Put all the parts on a soft and smooth surface to avoid damage or being scratched. Attach the Metal rail (G) to the Metal slat (F) with nuts (8), flat washers (9) and bolts (10). Tighten them securely with Wrench (12), but do not over tighten.

**Step 2:** Assemble Side rails (C) with Headboard (B) using bolts (1), curved washers (2), spring washers (3) and nuts (4). Tighten them by wrench (6), but do not over tighten.

**Step 3:** Attach the Metal slat (F) to Side rails (C) with flat washers (9) and bolts (11) using wrench (12), but do not over tighten.

**Step 4:** Screw Center support (A) into Center rail (H). Attach the Center rail (H) to the Headboard (B) with bolt (1), curved washer (2), spring washer (3), nut (4) and dowels (7). Tighten them by wrench (6), but do not over tighten.

**Step 5:** Assemble Side rails (C) with Footboard (D) using bolts (1), curved washers (2), spring washers (3) and nuts (4). Tighten them by wrench (6), but do not over tighten.

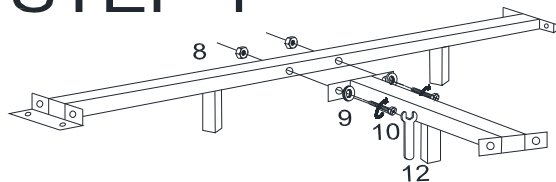
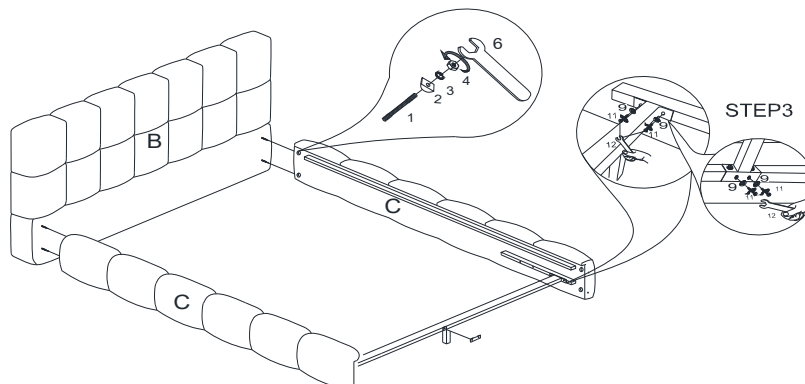
**Step 6:** Assemble the Metal slat (F) to Footboard (D) with flat washers (9) bolts (11). Tighten them securely with Wrench (12), but do not over tighten.

**Step 7:** Assemble the Center rail (E) to Footboard (D) with bolt (1), curved washer (2), spring washer (3), nut (4) and dowels (7) to Footboard (D). Tighten them by wrench (6), but do not over tighten.

**Step 8:** Assemble the Slat roll (E) to Side rails (C) with Screws by using Screwdriver (not provided).

**Note:** U181230/U18123FR/181240/U1824FR bed has 1PC center support.

**Assembly is now complete.**

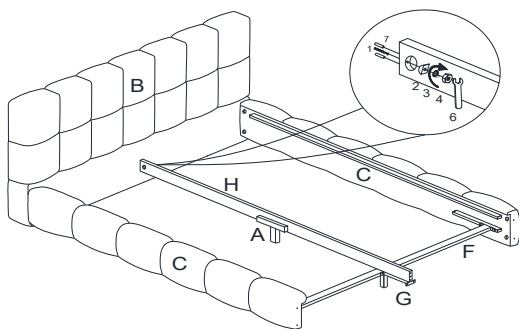
**STEP 1****STEP 2**

## INSTRUCTION SHEET

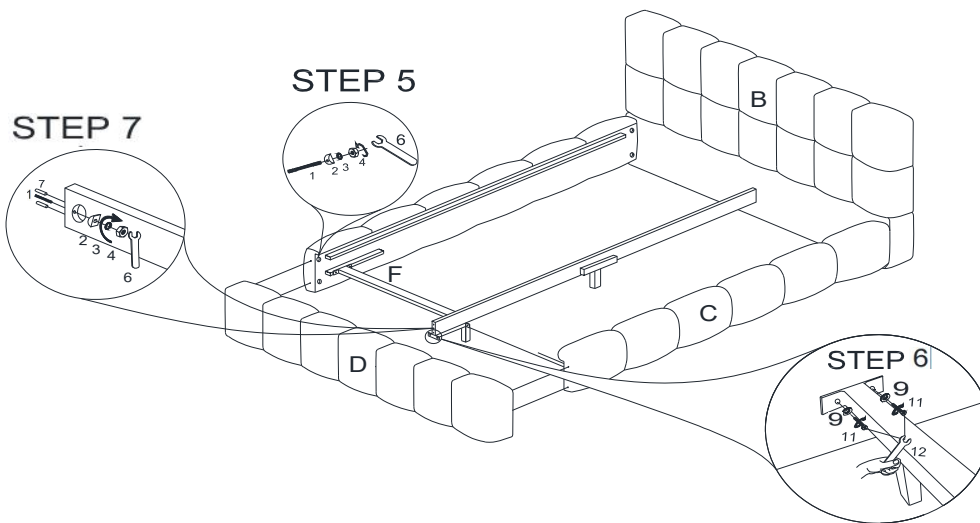
U181230/U18123FR/U181240/U18124FR

COLINA BED

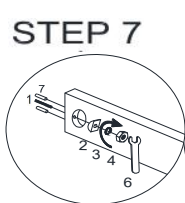
### STEP 4



### STEP 5



### STEP 7



### STEP 8

