

INSTRUCTION SHEET

192/193-657

Breakfast Table

Thank you for purchasing this quality product. Be sure to check all packing material carefully for small parts that may have come loose inside the carton during shipment.

Caution: (1) These parts are cumbersome and heavy. This product can best be assembled with the assistance of one or more persons in order to prevent personal injury and to insure parts are not damaged during the assembly process. If dirty, clean finished parts with mild dishwashing liquid and water solution applied on damp cloth. Cloth should not be excessively wet. Polish finish with soft cloth and an industry recognized furniture polish.

(2) To prevent damage to your floor or carpet, please check the bottom of each piece of furniture for stain residue and rough surfaces and also check for staples or nails left after removing the packaging material. The manufacturer will not be held responsible if preventative steps are not taken prior to installation.

(3) Unpack and dispose of all packing material but be careful not to throw away any assembly parts or hardware. Read the instruction sheet and parts list carefully. Remove all staples and screws used for packaging carefully using pliers and or screwdrivers to prevent injury and scratching or damaging flooring.

(4) During normal use everyday, screws, bolts, nuts and wooden plugs may loosen up. They should be periodically inspected and re-tightened to prevent damage to the furniture and (or) personal property or cause injury. Always check to be sure all hardware on this list and the above mentioned components is attached to the furniture properly and kept tightened at all times.

PARTS LIST:

#	Description	Qty.	#	Description	Qty.
A	Table Top	1pc	B	Mounting plate	1pc
C	Table Base	1pc	D	Leaf	1pc
E	Leaf bag	1bag	F	Hardware pack	1bag

Assembly Procedure: (Please follow the sketches below.)

Step 1: Unpack, inspect, and read assembly instruction carefully. Lay out the parts and hardware. Make sure the quantity of each is correct.

Step 2: Rest table top (A) with its upright down on a flat smooth surface to avoid damage or being scratched, Remove the mounting plate (B) from the top (A) by wrench (4). Keep the bolts and washers for next step 3

Step 3: Attach the mounting plate (B) to the table base (C) with flat washers (6), lock washers (7) and nuts (5), Tighten with wrench (4).

Step 4: Connect the table base (C) to the table top (A) by attaching mounting plate (B) with washers (6), lock washers (7) and phillip head bolts (1) from Step 3, Tighten with wrench (4).

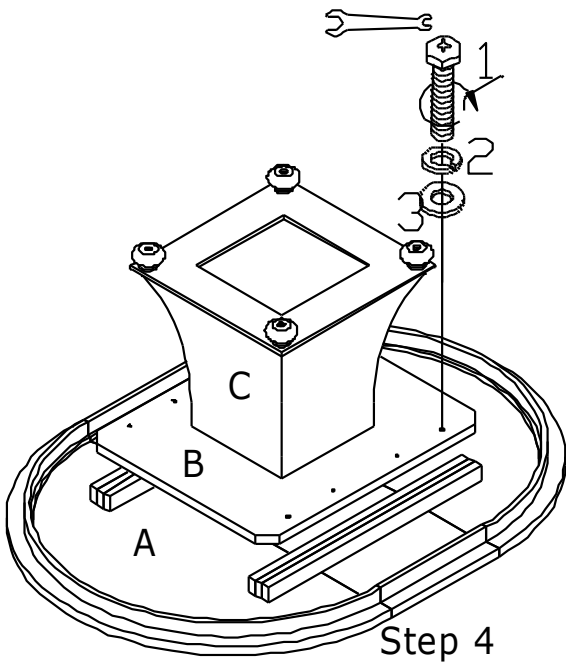
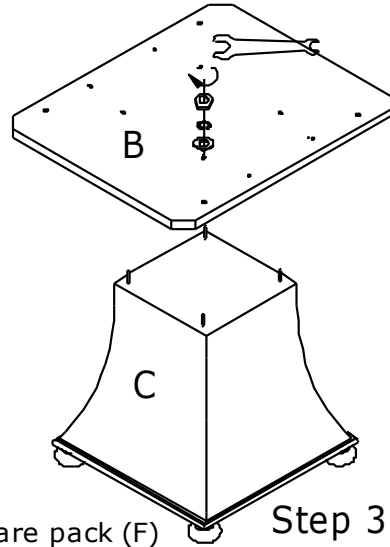
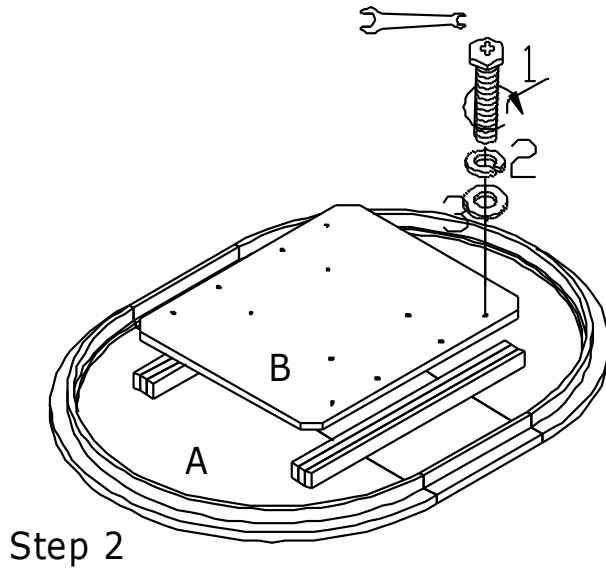
Step 5: Turn the table upright. Unlock the table top (A), take off the leaf (D) as shown when leaf is not used. Then lock the table top. **Note:** Store the leaf (D) into the leaf bag (E) when it is not in use.

Assembly is now complete.

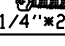
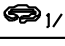

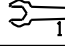

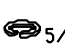

INSTRUCTION SHEET

192/193-657

Breakfast Table



Hardware pack (F)

①	PHILLIP HEAD BOLT	 1/4" * 2-3/4"	8PCS
②	FLAT WASHER	 1/4"	8PCS
③	LOCK WASHER	 1/4" * 19MM	8PCS
④	WRENCH	 10-12mm	1PCS
⑤	NUT	 5/16"	4PCS
⑥	FLAT WASHER	 5/16"	4PCS
⑦	LOCK WASHER	 5/16" * 23 * 2mm	4PCS

