

INSTRUCTION SHEET

ASSEMBLY INSTRUCTIONS

U178280/ U17828R/U17828C Past Forward Poster Bed Queen

Thank you for purchasing this quality product. Be sure check all packing material carefully for small parts that may have come loose inside the carton during shipping.

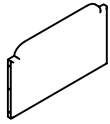


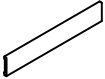






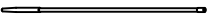
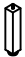
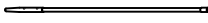
Caution: (1) These parts are cumbersome and heavy. This product can best be assembled with the assistance of one or more persons in order to prevent personal injury and to insure parts are not damaged during the assembly process. If dirty, clean finished parts with mild dishwashing liquid and water solution applied on damp cloth. Cloth should not be excessively wet. Polish finish with soft cloth and an industry recognized furniture polish.

(2) To prevent damage to your floor or carpet, please check the bottom of each piece of furniture for stain residue and rough surfaces and also check for staples or nails left after removing the packaging material. The manufacturer will not be held responsible if preventative steps are not taken prior to installation.








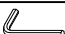

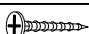
(3) Unpack and dispose of all packing material but be careful not to throw away any assembly parts or hardware. Read the instruction sheet and parts list carefully. Remove all staples and screws used for packaging carefully using pliers and or screwdrivers to prevent injury and scratching or damaging flooring.

(4) During normal use everyday, screws, bolts, nuts and wooden plugs may loosen up. They should be periodically inspected and re-tightened to prevent damage to the furniture and (or) personal property or cause injury. Always check to be sure all hardware on this list and the above mentioned components is attached to the furniture properly and kept tightened at all times.

Parts List:

Description		QTY	Description		QTY
Headboard panel (A)		1 pc	Left FB post (F)		1 pc
			Right FB post (G)		1 pc
Footboard panel (B)		1 pc	Lower canopy (H)		1 pc
			Upper canopy (I)		1 pc
			Ball bolt (J)		1 pc
Side Rail (C)		2 pcs	Thread ball (K)		1 pc
			Slat (L)		5 pcs
Left HB post (D)		1 pc	Support Leg (M)		5 pcs
Right HB post (E)		1 pc			

Hardware List:

1	Threaded bolt	5/16"x2-3/4"		12 pcs	6	Flat washer	5/16"x19mm		6 pcs
2	Curve washer	5/16"		12 pcs	7	Hex Head bolt	5/16"x2"		6 pcs
3	Spring washer	5/16"		18 pcs	8	Allen bolt	1/4"x5/8"		8 pcs
4	Nut	5/16"		12 pcs	9	Allen key	4mm		1 pc
5	Wrench	12mm		1 pc	10	Screw	#8x1-1/4"		10 pcs

INSTRUCTION SHEET

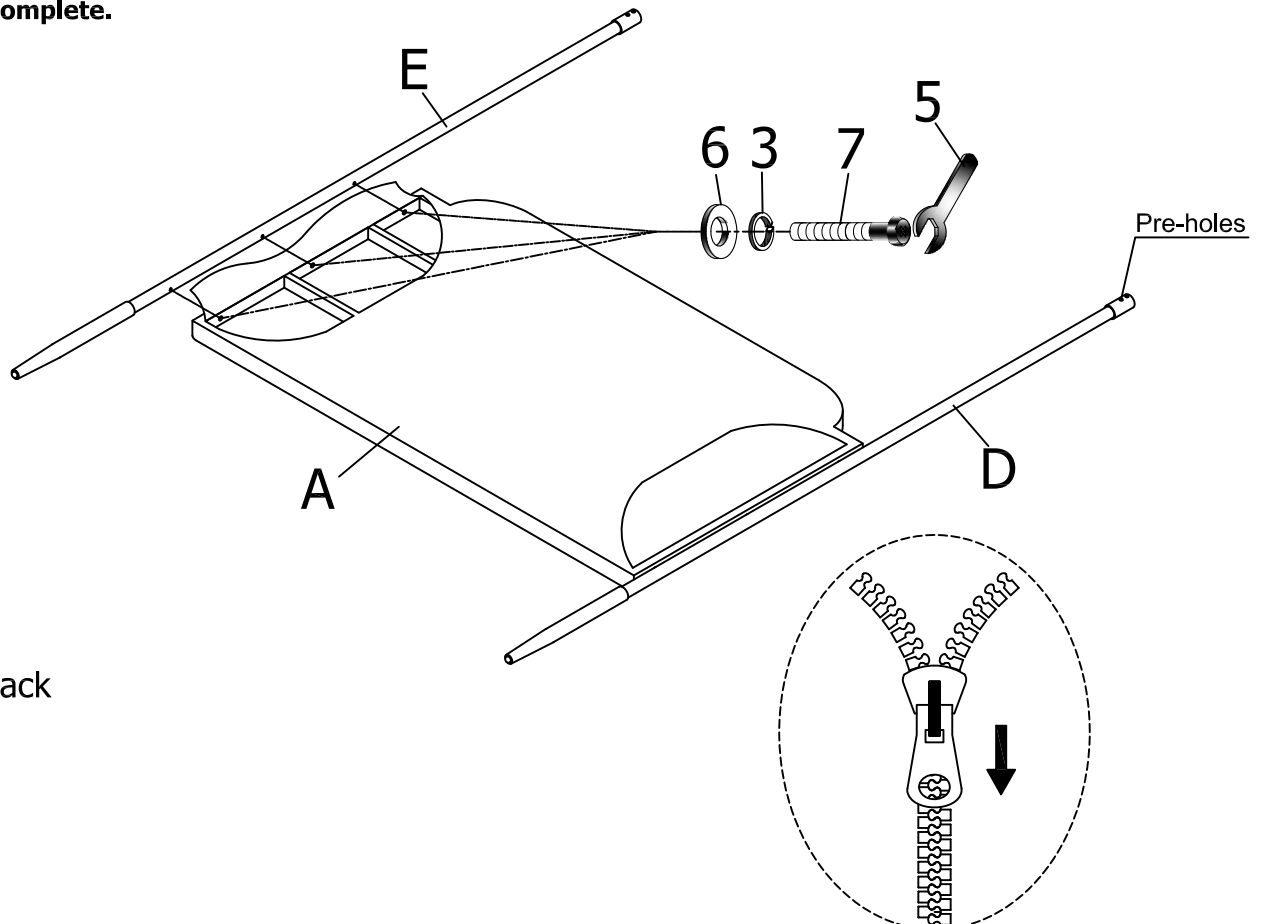
ASSEMBLY INSTRUCTIONS

U178280/ U17828R/U17828C Past Forward Poster Bed Queen

Assembly Procedure: (Please follow the sketches below.)

- Step 1:** Unpack, inspect, and read assembly instruction carefully. Lay out the parts and hardware. Make sure the quantity of each is correct.
- Step 2:** Assemble Headboard panel (A) to Left HB Post (D) & right HB post (E) using Hex Head bolt (7), spring washer (3), flat washer (6). Tighten all bolts securely with Wrench (5), but do not over tighten the bolts.
- Step 3:** Assemble Footboard panel (B) to left HB post(F) & right HB post(G) using Threaded bolt (1), curve washer (2), spring washer (3), nut (4). Tighten all nuts securely with Wrench (5), but do not over tighten.
- Step 4:** Assemble siderail (C) to left & right HB post(D,E) and left & right FB post (F,G) using Threaded bolt (1), curve washer (2), spring washer (3), nut (4). Tighten all nuts securely with Wrench (5), but do not over tighten.
- Step 5:** Assemble each support leg (M) into each slat (L).
- Step 6:** Assemble each slat (L) on the side rails (C) using screws (10) as shown. Adjust the height of each support leg (M) by turning adjustable levelers located on the bottom of each support leg (M), clockwise to lower and counterclockwise to raise.
- Step 7:** Assemble lower canopy (H) to left HB post (or right HB Post) and right FB post (or left FB post) using allen bolt (8). Tighten all allen bolts securely with allen key (9), but do not over tighten the bolts.
- Step 8:** Assemble upper canopy (I) to right HB post (or left HB Post) and left FB post (or right FB post) using allen bolt (8). Tighten all allen bolts securely with allen key (9), but do not over tighten the bolts.
- Step 9:** Tighten upper and lower canopy by ball bolt (J) and threaded ball (K). Use adjustable leveler as necessary.

Assembly is now complete.



STEP 2

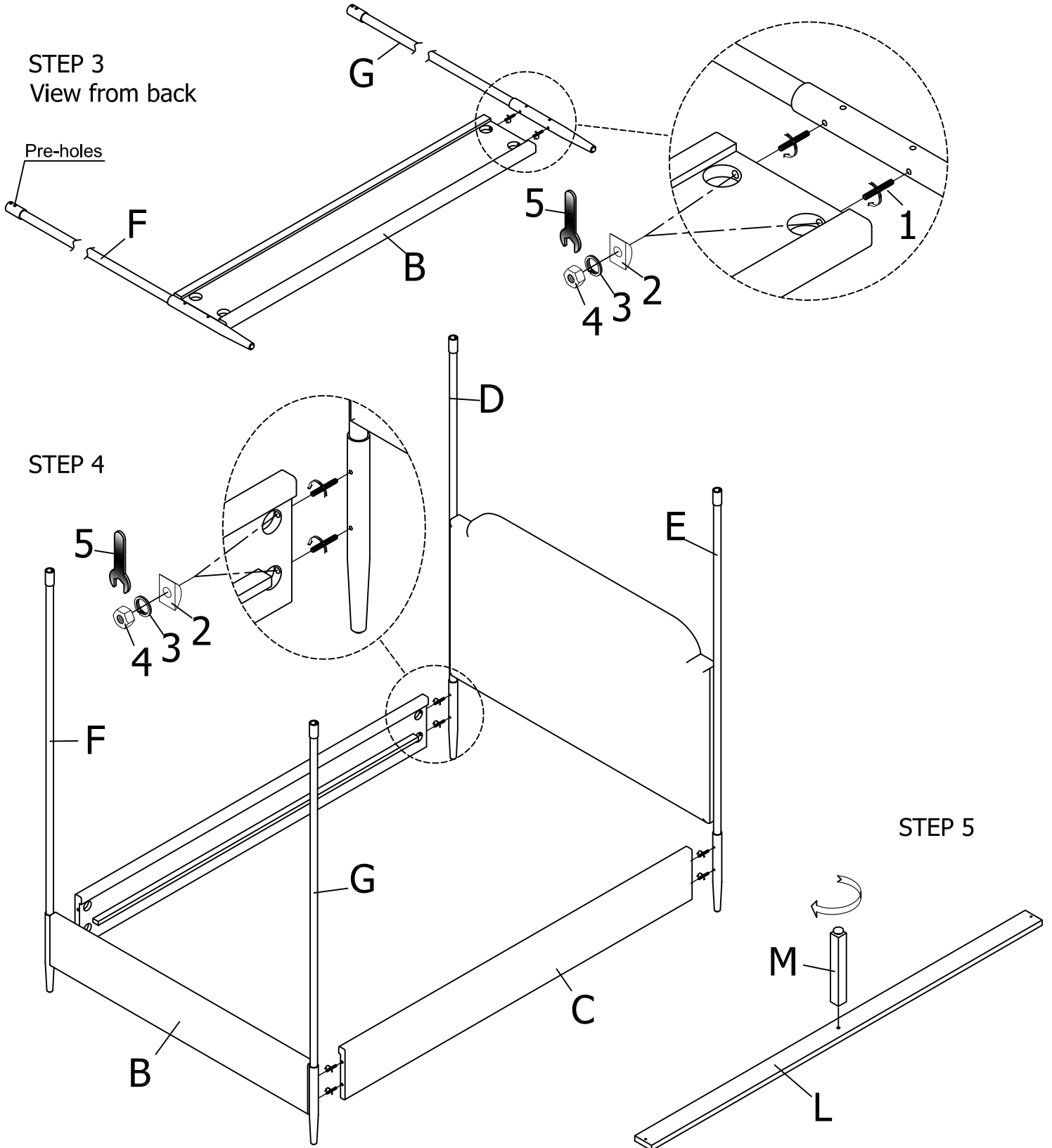
View from back

Please, pull zipper to open when assemble HB side panel. Then pull zipper to close when completed.

INSTRUCTION SHEET

ASSEMBLY INSTRUCTIONS

U178280/ U17828R/U17828C Past Forward Poster Bed Queen

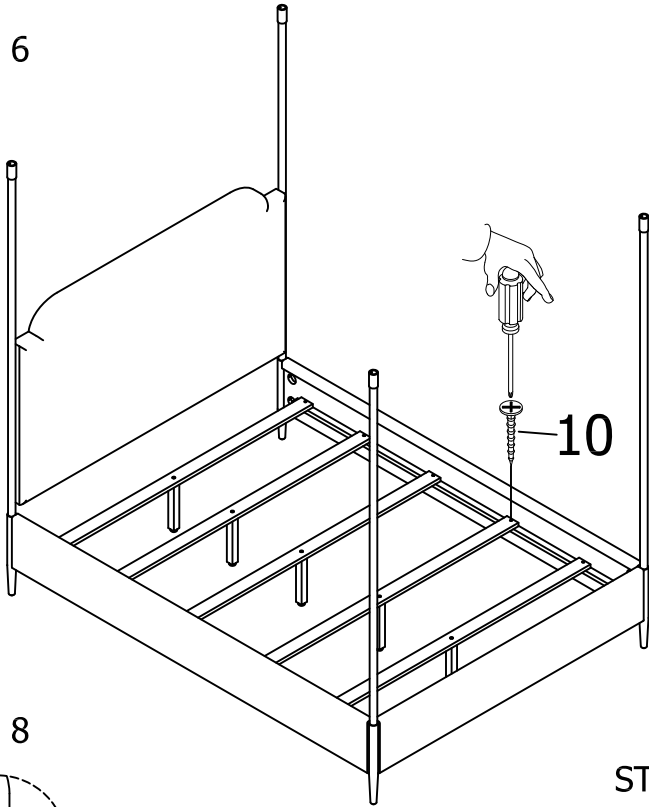


INSTRUCTION SHEET

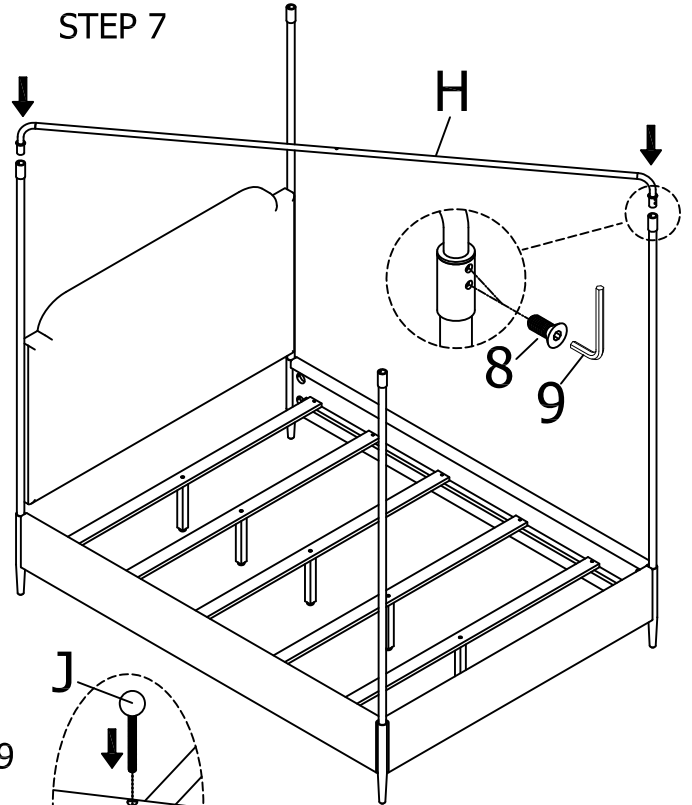
ASSEMBLY INSTRUCTIONS

U178280/ U17828R/U17828C Past Forward Poster Bed Queen

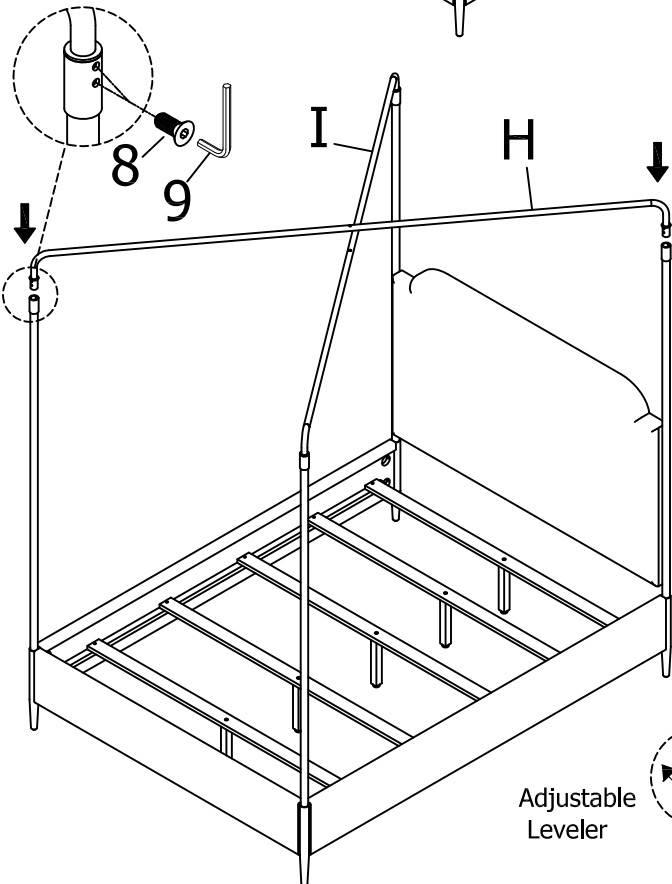
STEP 6



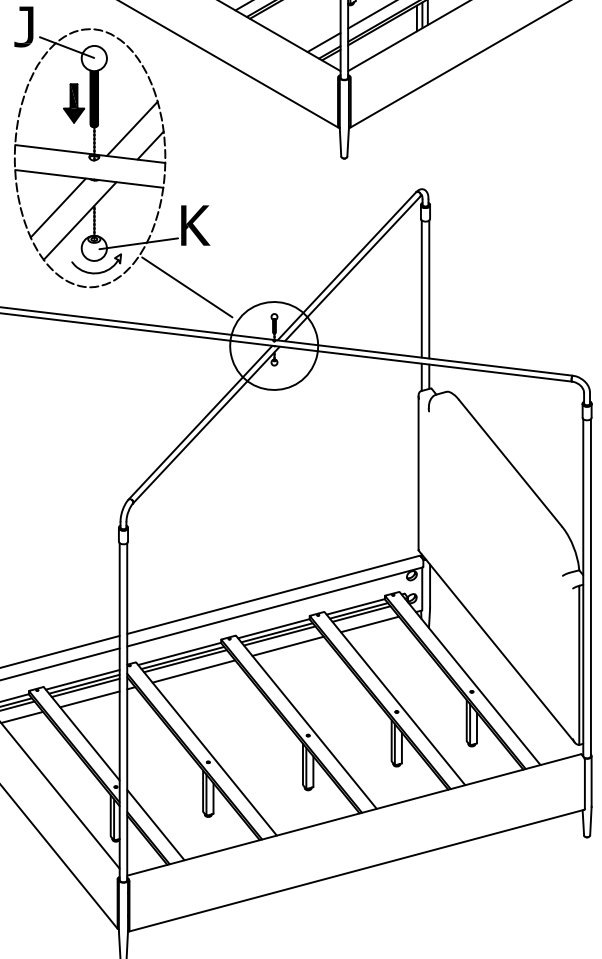
STEP 7



STEP 8



STEP 9



Adjustable
Leveler

