
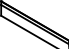



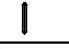




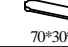
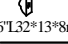
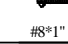
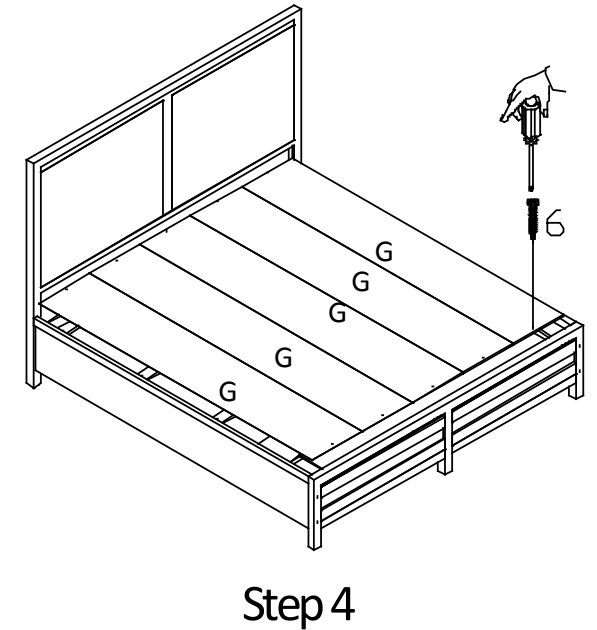
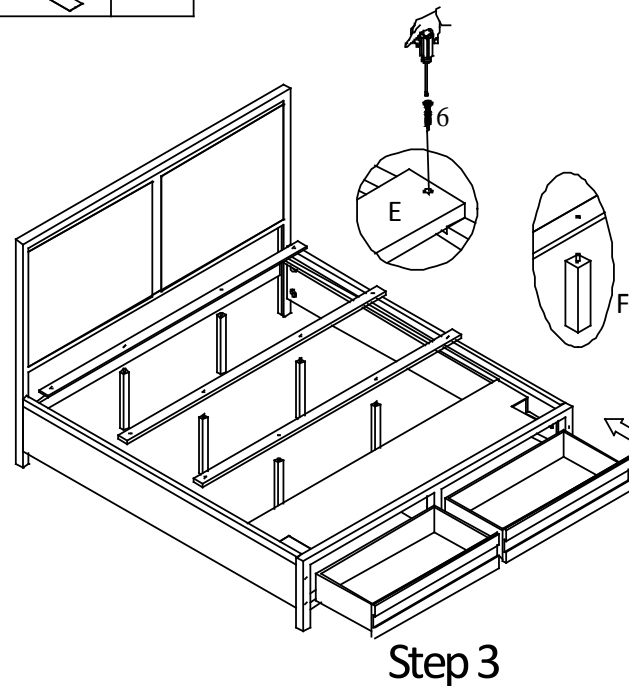
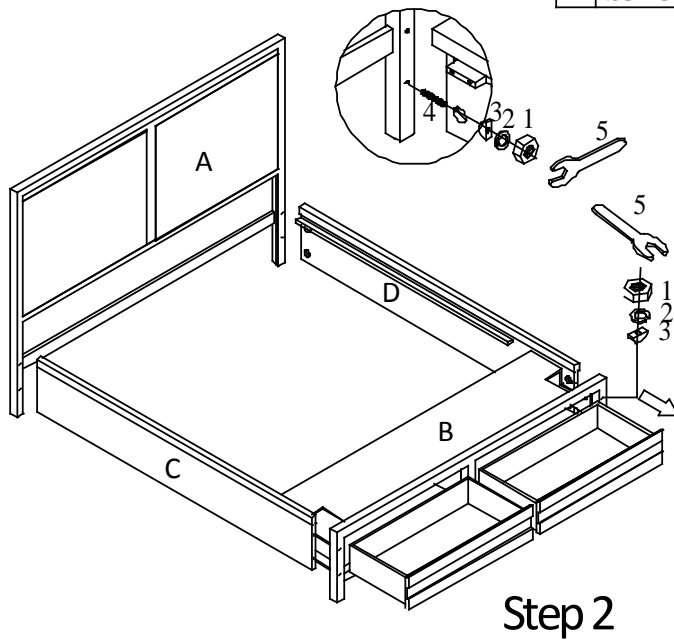


Parts List & Hardware List

| PART LIST | | | QTY | PART LIST | | | QTY |
|-----------|-----------|---|-----|-----------|------------------------|---|------|
| A | HEADBOARD |  | 1PC | D | RIGHTRAIL |  | 1PC |
| B | FOOTBOARD |  | 1PC | E | SLAT |  | 3PCS |
| C | LEFTRAIL |  | 1PC | F | SUPPORTLEG |  | 6PCS |
| | | | | G | MATTRESS SUPPORT PANEL |  | 5PCS |

| HARDWARE LIST | | | QTY | HARDWARE LIST | | | QTY |
|---------------|---------------|--|------|---------------|-----------|--|-------|
| 1 | NUT |  5/16" | 8PCS | 4 | BOLT |  5/16"*3" | 8PCS |
| 2 | SPRING WASHER |  5/16" | 8PCS | 5 | WRENCH |  70*30*5mm | 1PC |
| 3 | CURVED WASHER |  5/16"L32*13*8mm | 8PCS | 6 | WOODSCREW |  #8*1" | 16PCS |



Assembly Procedures:

Step 1: Lay out all parts and hardware. Make sure the quantity of each is correct.

Step 2: Remove the drawers from the footboard. Assemble the right rail and left rail to headboard and footboard.

Step 3: Screw the center leg supports to slats. Assemble the slats to side rails. **Make sure the slats are evenly spaced with the front slat assembled flush against the headboard.**

Step 4: Assemble the mattress support panels to slats and footboard. Install the drawers in the footboard.

Assembly is now complete.