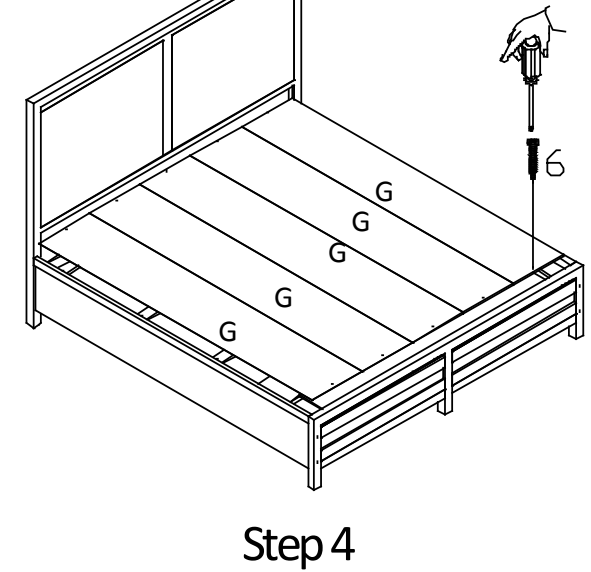
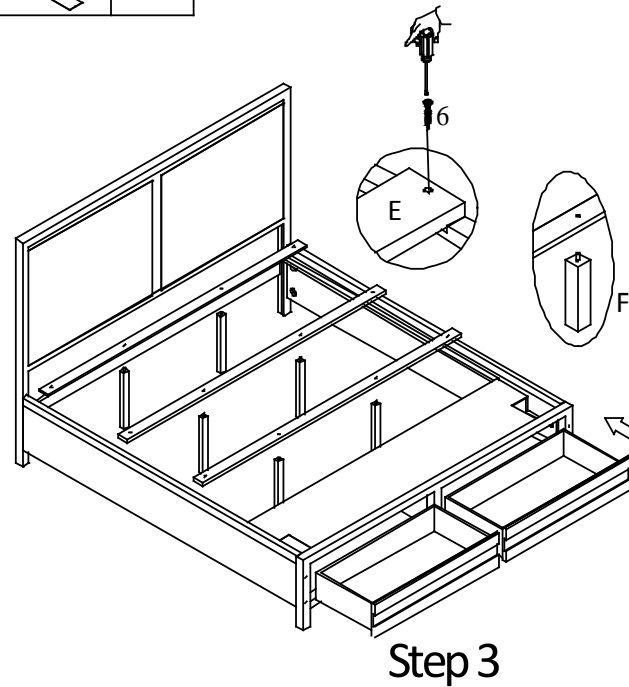
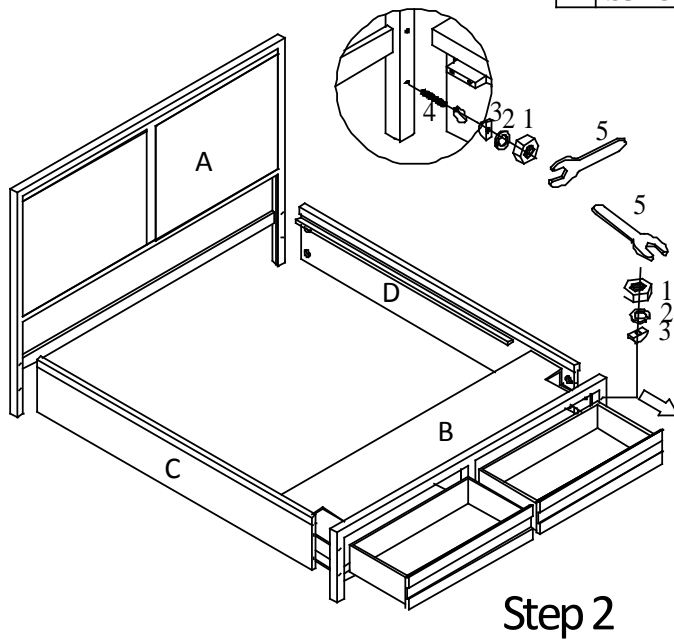


**Parts List & Hardware List**

PART LIST		QTY	PART LIST		QTY
A	HEADBOARD	1PC	D	RIGHTRAIL	1PC
B	FOOTBOARD	1PC	E	SLAT	3PCS
C	LEFTRAIL	1PC	F	SUPPORTLEG	6PCS
			G	MATTRESS SUPPORT PANEL	5PCS

HARDWARE LIST		QTY	HARDWARE LIST		QTY
1	NUT	8PCS	4	BOLT	8PCS
2	SPRING WASHER	8PCS	5	WRENCH	1PC
3	CURVED WASHER	8PCS	6	WOODSCREW	16PCS



**Assembly Procedures:**

Step 1: Lay out all parts and hardware. Make sure the quantity of each is correct.

Step 2: Remove the drawers from the footboard. Assemble the right rail and left rail to headboard and footboard.

Step 3: Screw the center leg supports to slats. Assemble the slats to side rails. **Make sure the slats are evenly spaced with the front slat assembled flush against the headboard.**

Step 4: Assemble the mattress support panels to slats and footboard. Install the drawers in the footboard.

**Assembly is now complete.**