

ASSEMBLY INSTRUCTIONS

581040 Dresser & 58106M Vertical Storage Mirror

Thank you for purchasing this quality product. Be sure check all packing material carefully for small parts that may have come loose inside the carton during shipment.

Caution: (1) These parts are cumbersome and heavy. This product can best be assembled with the assistance of one or more persons in order to prevent personal injury and to insure parts are not damaged during the assembly process. If dirty, clean finished parts with mild dishwashing liquid and water solution applied on damp cloth. Cloth should not be excessively wet.

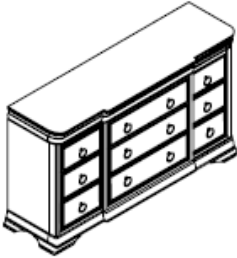


Polish finish with soft cloth and an industry recognized furniture polish.

(2) To prevent damage to your floor or carpet, please check the bottom of each piece of furniture for stain residue and rough surfaces and also check for staples or nails left after removing the packaging material. The manufacturer will not be held responsible if preventative steps are not taken prior to installation.






(3) Unpack and dispose of all packing material but be careful not to throw away any assembly parts or hardware. Read the instruction sheet and parts list carefully. Remove all staples and screws used for packaging carefully using pliers and or screwdrivers to prevent injury and scratching or damaging flooring.

(4) During normal use every day, screws, bolts, nuts and wooden plugs may loosen up. They should be periodically inspected and re-tightened to prevent damage to the furniture and (or) personal property or cause injury. Always check to be sure all hardware on this list and the above mentioned components is attached to the furniture properly and kept tightened at all times.

Parts List:

Description		QTY	Description		QTY
Dresser (A)		1 pc	Mirror (B)		1 pc
Mirror Support (C)		2 pcs			

Hardware List:

1	Flat Washer		10 pcs	2	Spring Washer		10 pcs
3	Bolt		10 pcs	4	Allen Wrench		1 pc
5	Adhesive Felt Pad		4 pcs				

Note: Lay out all the parts and hardware to make sure the quantity of each is correct.

Step 1: Stick the adhesive felt pad (5J) on the bottom side of mirror (BJ) before lifting it to the dresser (AJ) as shown. Carefully lift the mirror (BJ) onto the dresser (AJ). Attach the mirror (BJ) to the dresser (AJ) by screwing through the mirror support (CJ) into the dresser and mirror frame, using flat washers (1J), spring washers (2J) and bolts (3J). Tighten by hand at first, securely tighten by Allen wrench (4J), but do not over tighten the bolts. Adjust the levelers on the bottom of dresser if necessary.

Assembly is now complete.

