

Thank you for purchasing this quality product. Be sure to check all packing material carefully for small parts that may have come loose inside the carton during shipment.

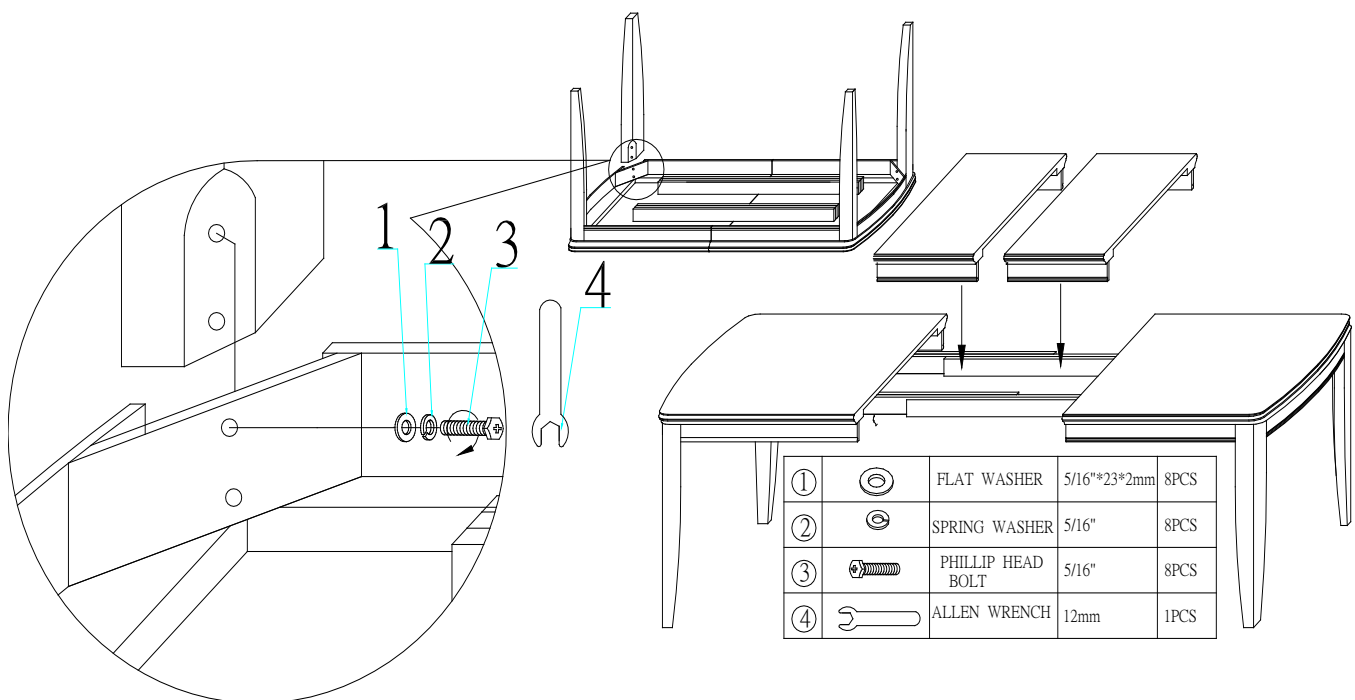
Caution: (1) These parts are cumbersome and heavy. This product can best be assembled with the assistance of one or more persons in order to prevent personal injury and to insure parts are not damaged during the assembly process. If dirty, clean finished parts with mild dishwashing liquid and water solution applied on damp cloth. Cloth should not be excessively wet. Polish finish with soft cloth and an industry recognized furniture polish.

(2) To prevent damage to your floor or carpet, please check the bottom of each piece of furniture for stain residue and rough surfaces and also check for staples or nails left after removing the packaging material. The manufacturer will not be held responsible if preventative steps are not taken prior to installation.

(3) Unpack and dispose of all packing material but be careful not to throw away any assembly parts or hardware. Read the instruction sheet and parts list carefully. Remove all staples and screws used for packaging carefully using pliers and or screwdrivers to prevent injury and scratching or damaging flooring.

Assembly Procedures:

1. Lay out all the parts and hardware. Make sure the quantity of each is correct.
2. Turn the tabletop upside down and assemble the table on a flat, soft surface such as a carpet or cloth to prevent scratching the tabletop finish.
3. Attach each leg to the bottom corner of the table with flat washer (1), spring washer (2) and bolt (3), using a wrench (4) to tighten them as shown in the diagram. **Tighten all bolts securely for safety and be sure legs do not loosen.**
4. Turn the table to its upright position. Unlock the lock mechanism under the tabletop before pulling it apart and then carefully insert or remove the table leaf. The quantity of the leaf maybe one or two, depending on the style of table purchased.



Special Instruction: To avoid soiling carpets always wipe any excess stain residue off the bottom of the legs with a cloth rag before assembly the placing the furniture on carpeting. During normal use everyday, bolts and nuts may loosen up. They should be periodically inspected and re-tightened to prevent damage to the furniture or cause injury. Always check to be sure all hardware on this list is attached and kept tightened.