

## INSTRUCTION SHEET

987/988-922/923/968/969

Entertainment Desk

Thank you for purchasing this quality product. Be sure to check all packing material carefully for small parts that may have come loose inside the carton during shipment.

**Caution:** (1) These parts are cumbersome and heavy. This product can best be assembled with the assistance of one or more persons in order to prevent personal injury and to insure parts are not damaged during the assembly process. If dirty, clean finished parts with mild dishwashing liquid and water solution applied on damp cloth. Cloth should not be excessively wet. Polish finish with soft cloth and an industry recognized furniture polish.

(2) To prevent damage to your floor or carpet, please check the bottom of each piece of furniture for stain residue and rough surfaces and also check for staples or nails left after removing the packaging material. The manufacturer will not be held responsible if preventative steps are not taken prior to installation.

(3) Unpack and dispose of all packing material but be careful not to throw away any assembly parts or hardware. Read the instruction sheet and parts list carefully. Remove all staples and screws used for packaging carefully using pliers and or screwdrivers to prevent injury and scratching or damaging flooring.

(4) During normal use everyday, screws, bolts, nuts and wooden plugs may loosen up. They should be periodically inspected and re-tightened to prevent damage to the furniture and (or) personal property or cause injury. Always check to be sure all hardware on this list and the above mentioned components is attached to the furniture properly and kept tightened at all times.

### PARTS LIST:

#	Description	Qty.	#	Description	Qty.
A	Entertainment Hutch	1pc	B	Entertainment console	1pc
C	Left Pier	1pc	D	Right Pier	1pc
E	Side panels	2pcs	F	Middle back panels	2pcs
G	Top frame unit	1pc	H	Top sliding doors	2pcs
I	Upper strips	2pcs	J	Bottom strips	2pcs
K	Hardware pack	1bag	L	Hardware pack	1bag
M	Hardware pack	1bag			

**Note:** The tipping restraint kits are located on the back of right bookcase (C) and left bookcase (B). Always use tipping restraint kits for safety.

**Assembly Procedure:** (Please follow the sketches below.)

**Step 1:** Unpack, inspect, and read assembly instruction carefully. Lay out the parts and hardware. Make sure the quantity of each is correct.

**Step 2:** Disregard this step when the hutch (A) is not in use. Connect the two middle back panels (F) with the screws (5) by a phillips head screwdriver (not provided). Then attach the side panels (E) to the assembled middle back panel (F) with phillip head bolts (2) and allen wrench (4) from hardware pack (K), attach the top frame unit (G) to the base of hutch with phillip head bolts (1) and allen wrench (4) as shown, attach the sliding doors (H) to the top frame unit (G). Secure the back rail with phillip head bolts (3) by allen wrench (4) as shown. Tighten all bolts with allen wrench (4). Now the hutch (A) is assembled.

**Step 3:** Disregard this step when left pier (C) and right pier (D) are in use. Attach the upper strips (I) to entertainment console (B) by hand. Attach the bottom strips (J) to console (B) with the phillip head bolts(1), lock washers (2) and flat washers (3) by the wrench (4) from hardware pack (L). Disregard the following steps when the piers (C&D) and hutch (A) are not in use.

**Step 4:** Put the entertainment hutch (A) on the entertainment console (B) as shown. Secure them with mending plates (1) and screws (2) from hardware pack (M) by a phillips head

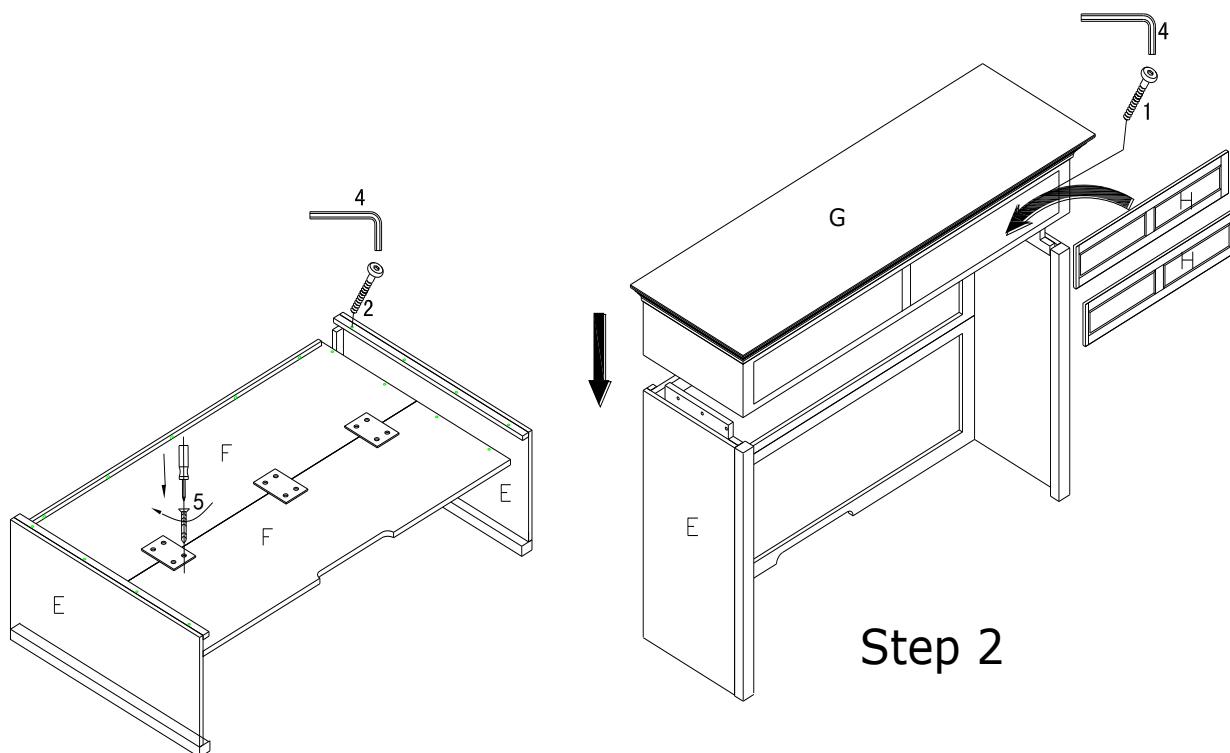
screwdriver (Not provided). Disregard the following steps when the piers (C&D) are not in use.

**Step 5:** Position left and right piers (C&D) next to the entertainment console (B) and hutch (A) as shown.

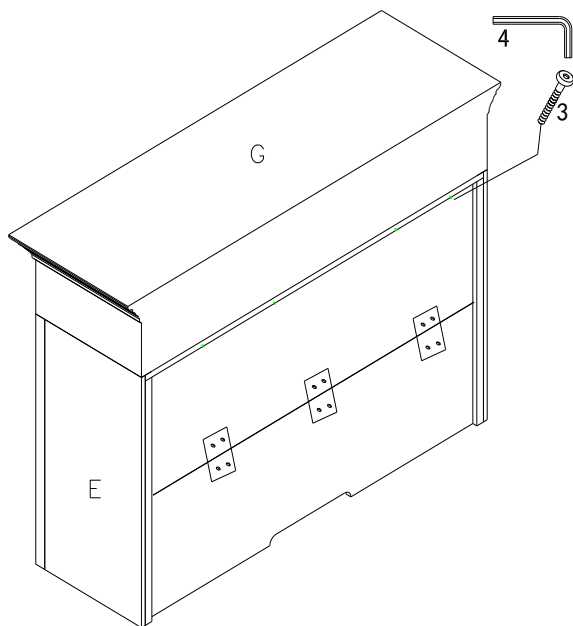
**Note:** To level the entertainment console (B) and piers (C&D), follow below steps.

Open the door, take off the plastic covers and level the cases by turning the leveler at its bottom as necessary.





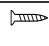
**Assembly is now complete.**

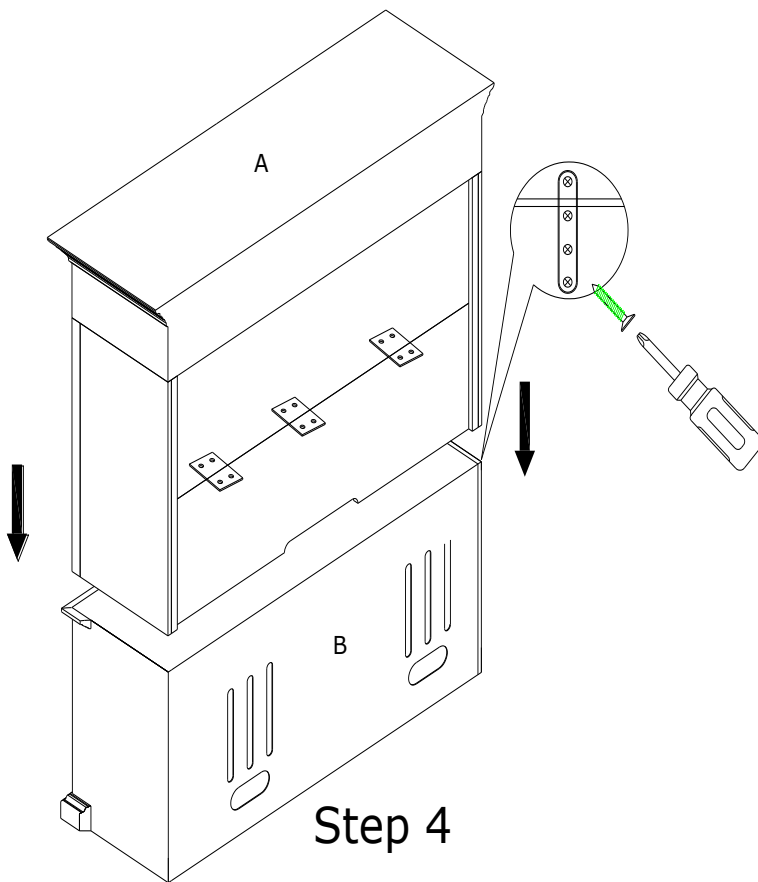
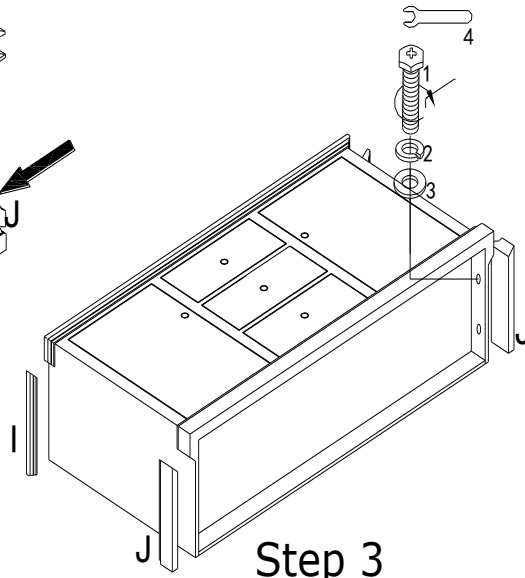
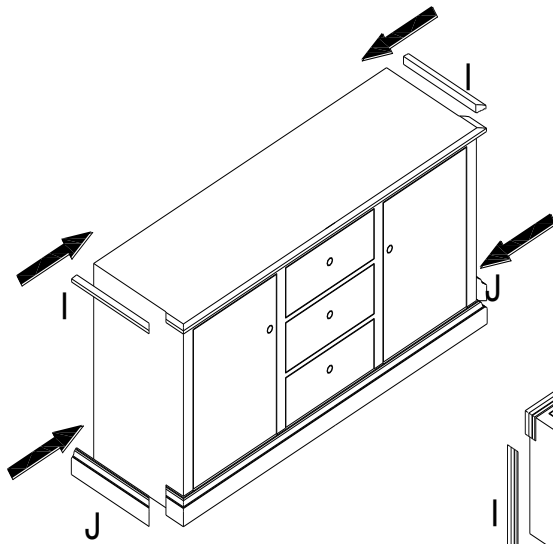


Step 2

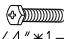





**Hardware pack (K)**


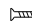
1	Phillip head bolt	 1/4"×1-1/4"	6PCS
2	Phillip head bolt	 1/4"×1-1/2"	8PCS
3	Phillip head bolt	 1/4"×2-1/4"	4PCS
4	Allen Wrench	 70×30×4MM	1PC
5	Screw	 #6×3/4"	9PCS



### Hardware pack (L)

1	Phillip head bolt	 1/4" * 1-3/8"	4PCS
2	Lock washer	 1/4"	4PCS
3	Flat washer	 1/4" * 19MM	4PCS
4	Wrench	 87 * 10mm	1PCS

### Hardware pack (M)

1	Mending plate		2PCS
2	Screw	 #6 * 3/4"	8PCS

