

INSTRUCTION SHEET

General Bolting Storage Footboard Bed

Thank you for purchasing this quality product. Be sure to check all packing material carefully for small parts that may have come loose inside the carton during shipment.

Caution: (1) These parts are cumbersome and heavy. This product can best be assembled with the assistance of one or more persons in order to prevent personal injury and to insure parts are not damaged during the assembly process. If dirty, clean finished parts with mild dishwashing liquid and water solution applied on damp cloth. Cloth should not be excessively wet. Polish finish with soft cloth and an industry recognized furniture polish.

(2) To prevent damage to your floor or carpet, please check the bottom of each piece of furniture for stain residue and rough surfaces and also check for staples or nails left after removing the packaging material. The manufacturer will not be held responsible if preventative steps are not taken prior to installation.

(3) Unpack and dispose of all packing material but be careful not to throw away any assembly parts or hardware. Read the instruction sheet and parts list carefully. Remove all staples and screws used for packaging carefully using pliers and or screwdrivers to prevent injury and scratching or damaging flooring.

(4) During normal use everyday, bolts and nuts may loosen up. They should be periodically inspected and re-tightened to prevent damage to the furniture and (or) personal property or cause injury. Always check to be sure all hardware on this list is attached to the furniture and kept tightened at all times.

(5) The bed should not be moved after it has been assembled without first disassembling the bedrails and slats. Excessive movement while the bedrails are locked into place may cause damage to the bed's parts or even cause personal injury.

PARTS LIST:

| # | Description | Qty. | # | Description | Qty. |
|----------|------------------------|---------|----------|-------------------------|--------|
| A | Headboard | 1 pc | B | Storage Footboard | 1 pc |
| C | Side Rail | 2 pcs | D | Center Rail | 1 pc |
| E | Center Rail Support | 1 pc | F | Roll Slat for Queen Bed | 1 roll |
| G | Roll Slat for King Bed | 2 rolls | H | Hardware Pack | 1 bag |
| I | Hardware Pack | 1 bag | | | |

* Slat Roll (F&G): For queen bed, there is only 1 slat roll; For king bed, there are 2 slat rolls.

Assembly Procedure: (Please follow the sketches below.)

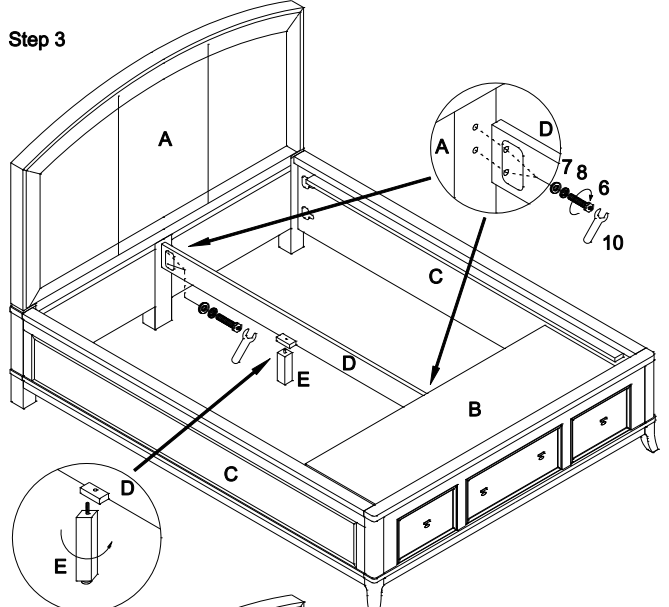
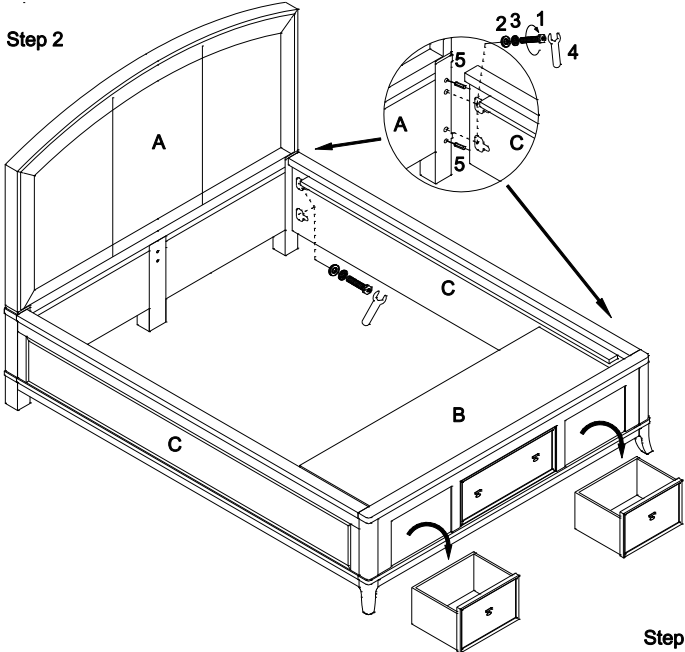
Step 1: Unpack, inspect, and read assembly instruction carefully. Lay out the parts and hardware. Make sure the quantity of each is correct.

Step 2: Remove the end drawers from the storage footboard (B) to access the assembly holes. Attach the side rails (C) to the headboard (A) and storage footboard (B) with dowels (5), flat washers (2), lock washers (3) and bolts (1) as shown. Tighten all the bolts by wrench (4).

Step 3: Insert the end drawers in the storage footboard (B). Screw in the center rail support (E) to center rail (D). Attach the center rail (D) to the headboard (A) and storage footboard (B) with flat washers (7), lock washers (8), bolts (6). Tighten all the bolts by wrench (10).

Step 4: Place the slat roll(s) (F or G) on the assembled bed and secure with screws (9) and screwdriver (not provided) as shown.

Assembly is now complete.



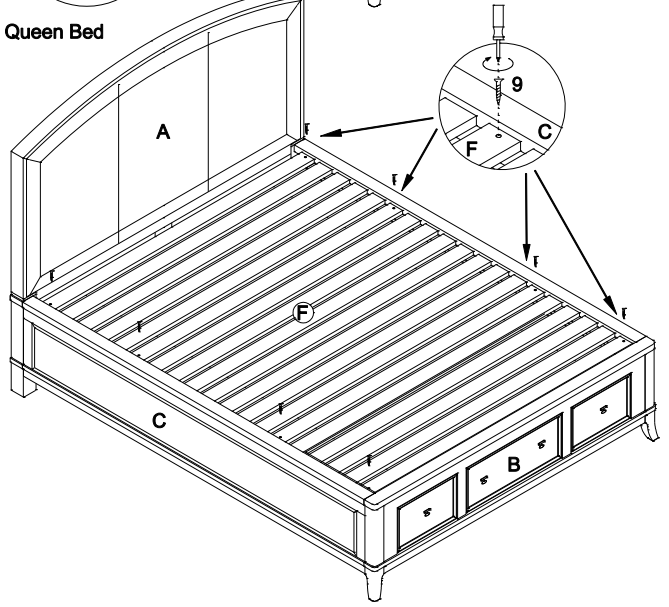
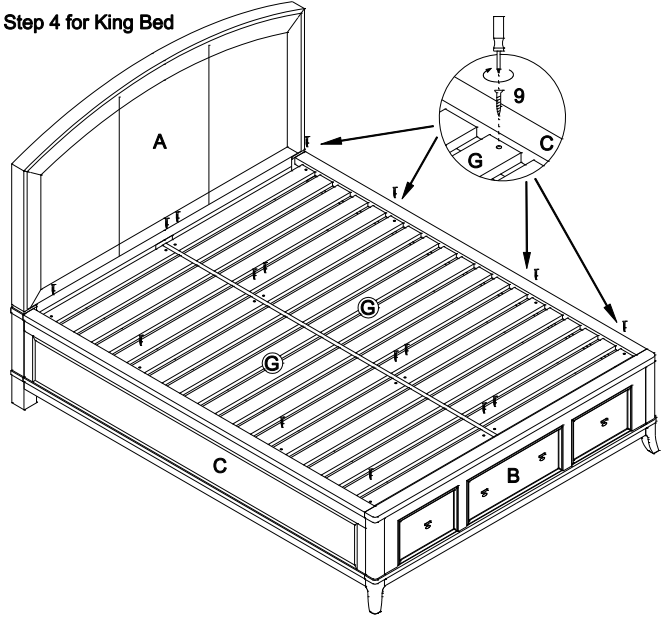
Step 4 for Queen Bed

Hardware Pack for Queen Bed (H)

| | | | |
|---|--|-------------------|-------|
| 1 | | Bolt 5/16"x2" | 8 pcs |
| 2 | | Flat Washer 5/16" | 8 pcs |
| 3 | | Lock Washer 5/16" | 8 pcs |
| 4 | | Wrench | 1 pc |
| 5 | | Dowel | 8 pcs |

Hardware Pack for Queen Bed (I)

| | | | |
|----|--|-------------------|-------|
| 6 | | Bolt 5/16"x2" | 4 pcs |
| 7 | | Flat Washer 5/16" | 8 pcs |
| 8 | | Lock Washer 5/16" | 8 pcs |
| 9 | | Screw #8x1-1/4" | 8 pcs |
| 10 | | Wrench | 1 pc |



Hardware Pack for King Bed (H)

| | | | |
|---|--|-------------------|-------|
| 1 | | Bolt 5/16"x2" | 8 pcs |
| 2 | | Flat Washer 5/16" | 8 pcs |
| 3 | | Lock Washer 5/16" | 8 pcs |
| 4 | | Wrench | 1 pc |
| 5 | | Dowel | 8 pcs |

Hardware Pack for King Bed (I)

| | | | |
|----|--|-------------------|--------|
| 6 | | Bolt 5/16"x2" | 4 pcs |
| 7 | | Flat Washer 5/16" | 8 pcs |
| 8 | | Lock Washer 5/16" | 8 pcs |
| 9 | | Screw #8x1-1/4" | 16 pcs |
| 10 | | Wrench | 1 pc |